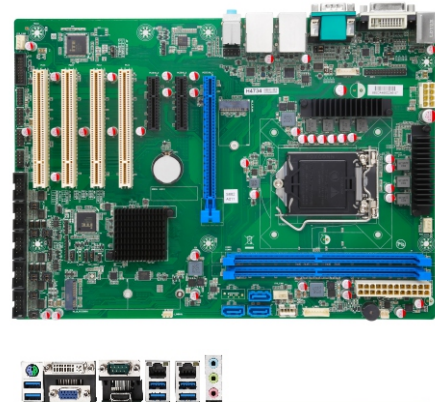


Intel® 10th Generation Core™ i3/i5/i7/i9 CPU, h470 Chipset, 1x PCIeX16, 2x PCIeX4, 4x PCI 6x COM, 13x USB, 2x LAN

Features

- Supports Intel® 10th-generation Core™ i3/i5/i7/i9 processors
- Adopting Intel® H470 chipset
- 2x Intel Gigabit network port, 13x USB, 6x COM, 2x M.2
- 1x VGA, 1x HDMI, 1x DVI, 1x eDP, support dual display
- 1x PCIe 16, 2x PCIe 4, 2x PCI



Specifications

Model	DMB-AH470
CPU	Intel® 10th Generation Core™ i3/5/7/9, Pentium®, Celeron® Processors, LGA1200 Support MAX CPU TDP: Hexa-Core 65W, Deca-Core 35W
Chipset	Intel® H470, TDP 6W
Display [1]	1x DVI-D(DVI-I): Support DVI-D with max resolution up to 1920x1200@60Hz 1x HDMI 1.4b (TYPE-A): Support max resolution up to 4096x2160@30Hz 1x VGA(DB15/F): Support max resolution up to 1920x 1200@60Hz 1x eDP:Support max resolution up to 4096x 2304@60Hz
Memory[2]	Support DDR4-2133/2400/2666/2933MHz, 2x U-DIMM Slot, Up to 64GB
Storage[3]	3x SATA 3.0 Connector (Only Q470 support RST RAID 0,1,5,10) 1x M.2 Key-M Slot (PCIE 2x/SATA, Default SATA, Support SATA SSD, 2242/2280)[5]
Ethernet	1x Intel I219-V GBE LAN Chip(RJ45,10/100/1000 Mbps) [4] 1x Intel I225-V GBE LAN Chip(RJ45,10/100/1000 Mbps)
Audio	Realtek Audio HDA Codec, 1x Line-Out + MIC + Line-In 3.5mm Jack 1x Front Audio Header (Line-Out + MIC) 1x SPDIF Out Header
Expansion Slots	4x PCI Slot 1x PCI-E 16x Slot 1x M.2 Key-E Slot(PCIE+USB2.0,Support WIFI+ BlueTooth, 2230) 1x PCIe4x Slot (PCIE 2x, PCIE4x 2) [5] 1x PCI CLK 66MHz/33MHz Select Jumper 1x PCIe4X Slot (PCIE1X,PCIE4x_3)
COM	1x RS232(COM1, DB9/M) 3x RS232(COM2/5/6, BOx Header) 2x RS232/RS485(COM3/4,BOX Header)
USB[6]	2x USB2.0(Header, Internal) 1x USB2.0(TYPE-A,Internal) 6x USB3.0(TYPE-A, Rear Io)

Other Ports	8x GPIO 1x PS/2 Connector (Keyboard & Mouse) 1x Front Panel Header 2x System FAN Header 1x CPU FAN Header 1x SMBUS Header 1x Case Open Header 1x AT or ATX Select Jumper 1x Power LED Header
TPM	Supports onboard TPM 1.2/2.0(optional, not onboard by default)
System	Windows 10(64 bit),Linux
Temperature	Storage: -20~75°C Operating: 0~60°C
BIOS	AMI UEFI BIOS(Support Watchdog Timer)
Power Supply	ATX Standard (24P+8P) 1x ATX 8P CPU Power Input Connector 1x ATX 24P Power Input Connector
Factor	305mmx 220mm

Notes:

[1]: Inte® H420E supports two independent displays.Intel® Q470 support three independent displays.

[2]: The maximum memory frequency depends on CPU.

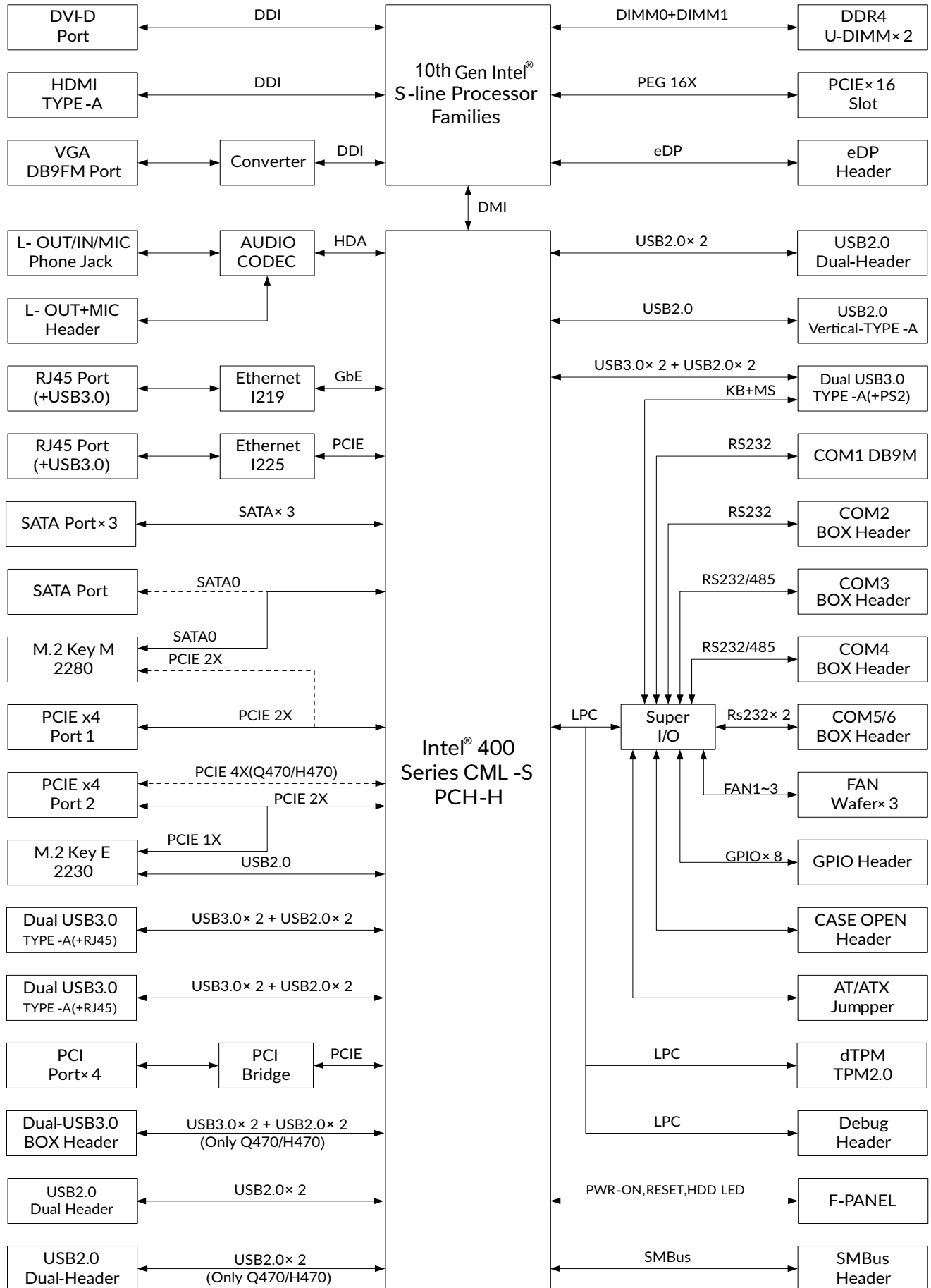
[3]:M2_M_PCIESSD1 and SATA1 share the same SATA3.0 signal, they can't be accessed simultaneously (supportM2_M_PCIESSD1 by default).And Q470 can support them both.

[4]: 1219-V doesn't support Intel® AMT 12.0 and Intel® vPro competent by default.




[5]:M2_M_PCIESSD1 and PCIE4X_1 share PCIE 2x signal, they can't be accessed simultaneously (support PCIE4X_1 by default).PCIE4X_2 and M2_E_WLAN1 share PCIEsignal (support M2_E_WLAN1 by default). Q470 can supportM2_E_WLAN1and PCIE4X_2(PCIE-x4) both.

[6]: H420E not support F_USB3 and F_USB2 by default.

Functional Block Diagram



Packing list

COM data cable (single port) DB9 (with iron plate) to 10P 2.54MM spacing pin (plug the 10th hole), with a total length of 40cm cross connection	5pcs/set	COM data cable	
SATA data cable 7P-7P 180 ° -180 ° with shrapnel at both ends, with a total length of 50cm yellow wire	1pcs/set	SATA data cable	
IO blocking SVIO-312 with three layers and 2.5mm aluminum foil foam for selection (2× RJ45)	1pcs/set	IQ blank	

Ordering information

Product Model	Parameter
DMB-AH470	Intel® 10th Generation Core™ i3/i5/i7/i9 CPU, h470 Chipset, 1× PCIeX16, 2× PCIeX4, 4× PCI, 6× COM, 13× USB, 2× LAN