

Intel® Elkhart Lake Celeron®/Tiger Lake Core™ i5 Fanless Box Computer
with 2x COM, 8x USB, 2x LAN

Overview

NBC-1360 is an advanced industrial computer equipped with extensive I/O options, offering great flexibility and effortless Mini PCIe expansion capabilities. It boasts wide-input power ranges, wide temperature tolerances, and enhanced structural durability, making it an excellent choice for industrial applications.

Features

- Intel® Elkhart Lake Celeron® J6412/Tiger Lake Core™ i5-1155G7 processor
- 2x COM (RS-232/485), 2x LAN, 8x USB, HDMI
- 1x 2.5" SATA HDD/SSD, 1x M.2 2280 NVME
- 1x Full length Mini PCIe



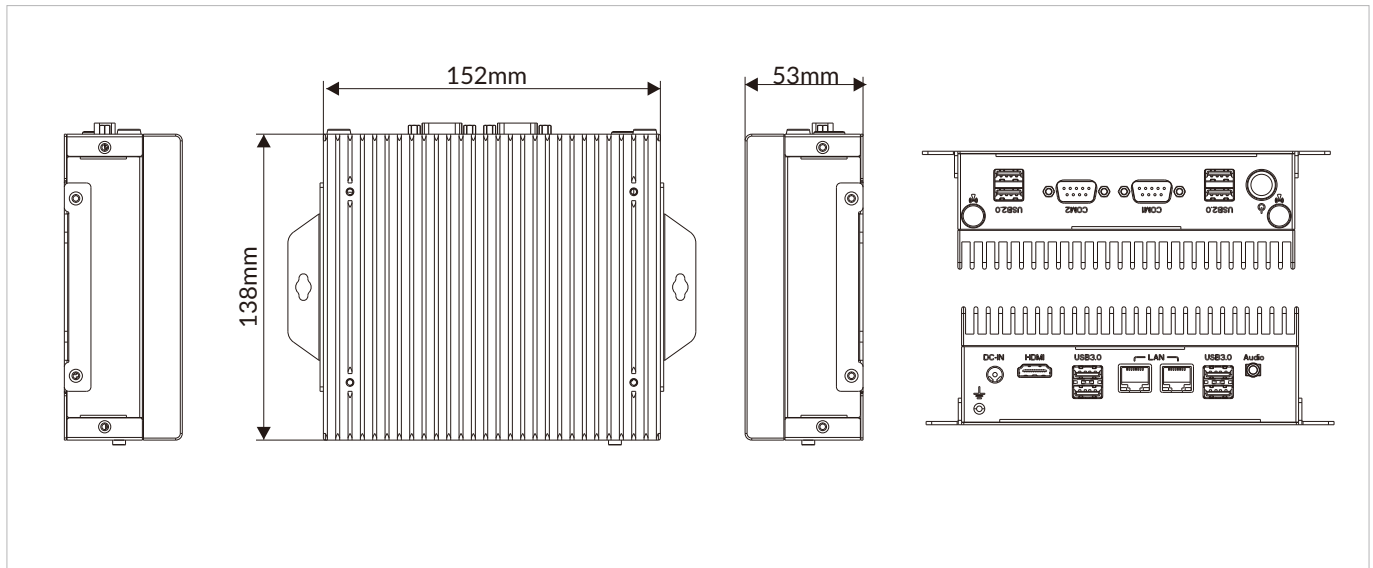
I/O Interfaces



Specifications

System	NBC-1360-J6412	NBC-1360-1155G7	NBC-1360-1155G7
CPU	Intel® Celeron® J6412 processor	Intel® Core™ i3-1155G4 processor	Intel® Core™ i5-1155G7 processor
CPU TDP	10W	12W	
Memory	1x DDR4 3200 MHz SO-DIMM up to 32GB		
Storage	1x 2.5" SATA HDD 1x M.2 2280 NVME		
BIOS	AMI UEFI		
Watchdog Timer	Software Programmable. Supports 256 levels system reset		
I/O Ports			
USB	4x USB 2.0, 4x USB 3.0		
Serial	2x COM (RS-232/485)		
Ethernet	2x RJ45 GbE Intel® I210AT		
Display	1x HDMI		
SIM Card Slot	1x SIM card slot (inside)		
Antenna	2x SMA antenna holes		
Expansion Slot			
Mini PCIe	1x Full length Mini PCIe		
M.2	1x M.2 2280 NVME		
RF Communication			
Wi-Fi	Mini PCIe expansion (optional)		
Cellular	Mini PCIe expansion (optional)		
Bluetooth	Mini PCIe expansion (optional)		
GNSS	Mini PCIe expansion (optional)		
Audio			
Audio	Mic in, line out		
Power			
Button	Yes		
DC Input	9-36VDC		12VDC
Power Mode	AT/ATX		
Operating System			
Windows	Windows 10/11		
Linux	Ubuntu		
Mechanical			
Dimensions (W x D x H)	152x 138x 53mm (5.98 x 5.43 x 2.09 inches)		
Weight (N.W.)	1.3 kg (2.87 lbs)		
Mounting	Wall mount		
Material	Aluminum alloy		
Environment			
Operating Temperature	-10 to 60°C (14 to 140°F)		
Storage Temperature	-20 to 60°C (-4 to 140°F)		
Relative Humidity	10% to 95% @ 40°C (104°F), non-condensing		
Certification			
EMC	CE, FCC Class A		

Dimensions



Optional Accessories

Part No.	Description
A.02.001.000022	AC/DC power adaptor 60W 12V 5A
C.02.009.000039	AC/DC power adaptor 84W 12V 7A

Ordering Information

Part No.	Description
NBC-1360-J6412	J6412 NBC with 2x COM (RS-232/485), 2x LAN, 8x USB, HDMI, 9~36VDC
NBC-1360-1155G7	1155G7 NBC with 2x COM (RS-232/485), 2x LAN, 8x USB, HDMI, 12VDC