

10.1" Windows Vehicle Mount Computer with Intel® Celeron J6412 Processor

Overview

VT-776W is the latest generation of ruggedized vehicle mounted computer that comes with Intel Celeron J6412 platform processor and Windows 11 operating system. The VT-776W harnesses full Microsoft® Windows® computing power in a mobile environment, optimizing application and network management compatibility, while remaining flexible enough to run multiple advanced applications.

VT-776W assembly 10.1-inch industrial resistive/capacitive touch screen, built-in WiFi6E, Bluetooth5.3, 4G LTE / 5G, GPS/GNSS/Beidou, 8~36V wide-range DC input adapt it to the warehousing forklift, logistics, container trucks and so on. Meet the STD-MIL-810H of anti-shock and vibration, IP66 dust and water proof standard make it operating freely in the most demanding environment.

Features

- 10.1" TFT-LCD with resistive touch/projective capacitive touch screen
- Front panel integrated numeric and function keys control
- Rugged aluminum enclosure and fanless design
- IP66 protection against water and dust
- MIL-STD-810H vibration testing standards compliant
- Wide range 8-36VDC power input with ignition control
- Flexible expansion capability for Wi-Fi 6E, Bluetooth 5.3, LTE, 5G, GNSS, CAN2.0B



I/O Interfaces

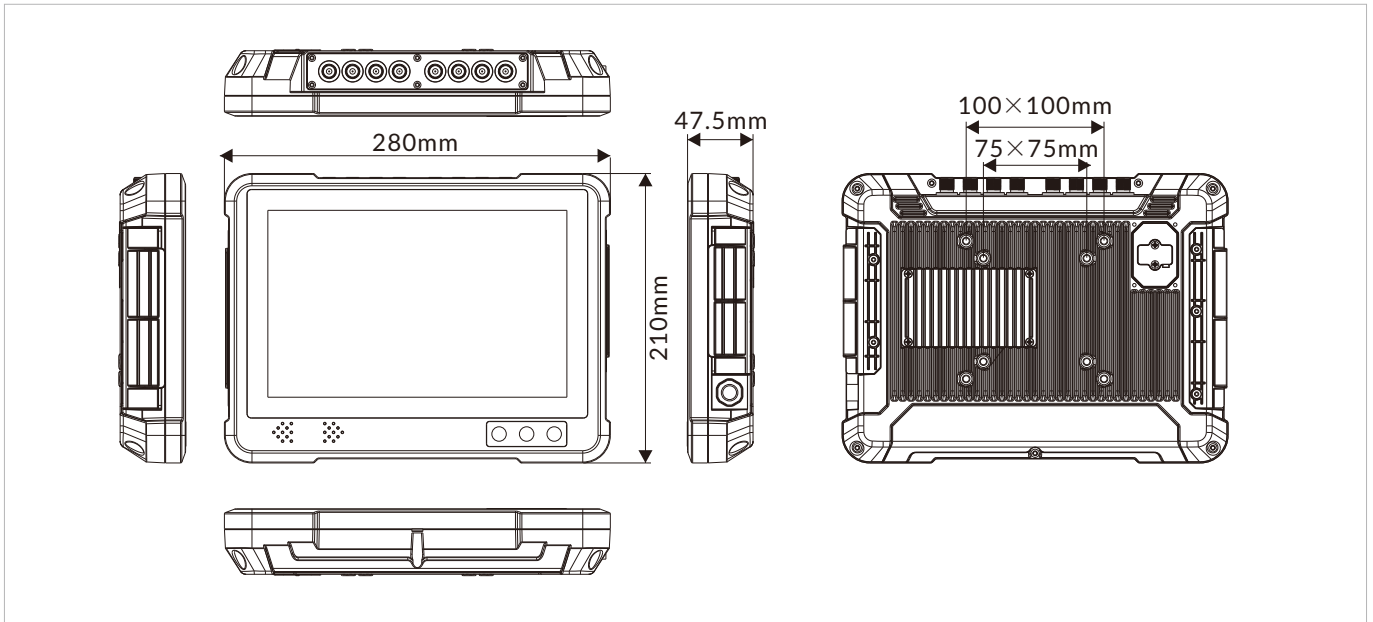


Specifications

| | |
|------------------------------|---|
| Display | |
| Size | 10.1 inch (16:10) |
| Touch Type | Projected capacitive multi touch, 5-wire resistive touch (Optional, by request) |
| Display Type | TFT LCD |
| Resolution | 1920 x 1200 |
| Luminance | 350 cd/m ² |
| Contrast Ratio | 1000: 1 |
| View Angles | 85 (left), 85 (right), 85 (up), 85 (down) |
| Color | 16.2M |
| System | |
| CPU | Intel® Celeron J6412, quad core (2.0GHz) |
| Chipset | 11th Gen Intel® Tiger Lake-UP3 Platform |
| Memory | 8GB DDR4-2666 SO-DIMM (up to 16GB) |
| Storage | 256GB M.2 SSD (up to 1TB) |
| Graphics | Intel® Iris® Xe Graphics |
| BIOS | AMI UEFI BIOS |
| Keypad & Keyboard | |
| Keyboard | Power on/off Brightness and volume adjustment 0-9 numeric, Enter and Backspace F1-F6 user-defined function keys Power LED indicator |
| I/O Ports | |
| USB | 2x USB 3.0 (Type A) |
| Serial | 1x RS-232/422/485 (COM1 supports 5V/12V, DB9) 1x RS-232 (COM2 supports 5V, DB9) |
| Ethernet | 1x GbE LAN (RJ45) |
| Audio | 3.5mm Audio Jack (Mic-in/Line-out) |
| SIM Card Slot | 1x SIM Socket |
| Antenna | 2~8x TNC connector for external antenna (Wi-Fi, Bluetooth, WWAN, GPS) |
| RF Communication | |
| Wi-Fi | Wi-Fi 6E: 802.11a/b/g/n/ac/ax, 2.4G/5G/6G (optional) |
| Cellular | 4G, LTE (optional) 5G, NSA/SA (optional) |
| Bluetooth | Bluetooth 5.3 (optional) |
| GNSS | GPS, GLONASS, Galileo, BeiDou (optional, Ublox NEO M8N) |
| Audio | |
| Speaker | 8Ω/2W, dual studio speakers |
| Power | |
| DC Input | 8~36VDC |
| Power Consumption | 18W (Typ.) |
| Ignition On/Off | Power on delay, default 10 seconds Power off delay, default 10 seconds, (On/Off delay time can be changed via BIOS setting) |
| Battery | 7.2V 3350mAh (optional) |
| Power Mode | ATX (default), AT |
| Operating System | |
| Windows | Windows 11 IoT Enterprise LTSC Windows 10 IoT Enterprise LTSC Windows 10 Pro |

| Mechanical | |
|------------------------|--|
| Dimensions (W x D x H) | 280 x 210 x 46 mm (11.02 x 8.27 x 1.81 inches) |
| Weight (N.W.) | 2.2 kg (4.85 lbs) |
| Mounting Mode | VESA 75 and 100 |
| Material | Die-casting Aluminum with Heavy Duty Metal |
| Environment | |
| Operating Temperature | -30~60°C (-22~140°F) |
| Storage Temperature | -40~70°C (-40~158°F) |
| Relative Humidity | 95% @ 70°C (158°F), non-condensing |
| Shock | MIL-STD-810H Method 514.8 Procedure I |
| Vibration | MIL-STD-810H Method 516.8 Procedure I |
| IP Rating | IP66 compliant |
| Certification | |
| EMC | CE, FCC |

Dimensions



Optional Accessories

| Part No. | Description |
|----------------|---|
| PWR836D512-M12 | 8-36VDC Input, 5V/12VDC Output, M12 connector |

Ordering Information

| Part No. | Description |
|-------------------|---|
| VT-776W-C101A-A01 | VT-776W + CTP(350nits) + J6412 + 4GB RAM(HIK) + 128GB M.2(HIK) + WiFi6E(AX210) + Bluetooth(AX210) + TNC(1)-WiFi_M + TNC(2)-Bluetooth; |