

## 8" Android 13 Fleet Management Terminal with RK3562 Processor

### Overview

The FMT-G632 is a fleet management data terminal featuring an 8-inch touchscreen and the Rockchip RK3562 platform. It comes pre-installed with the Android 13 operating system, tailored for applications in the fleet management industry. The FMT-G632 supports integration of WiFi, LTE, Bluetooth, and GPS modules for real-time data exchange, navigation, and communications. With a 10-point capacitive touchscreen, users can enjoy intuitive and efficient operation during actual use.

### Features

- 8" TFT-LCD with projective capacitive touch screen
- Rugged metal enclosure and fanless design
- Wide range 8 to 36VDC power input with ignition control
- Flexible expansion capability for Wi-Fi, Bluetooth, LTE, GPS
- Supports Android 13 operating system



### I/O Interfaces

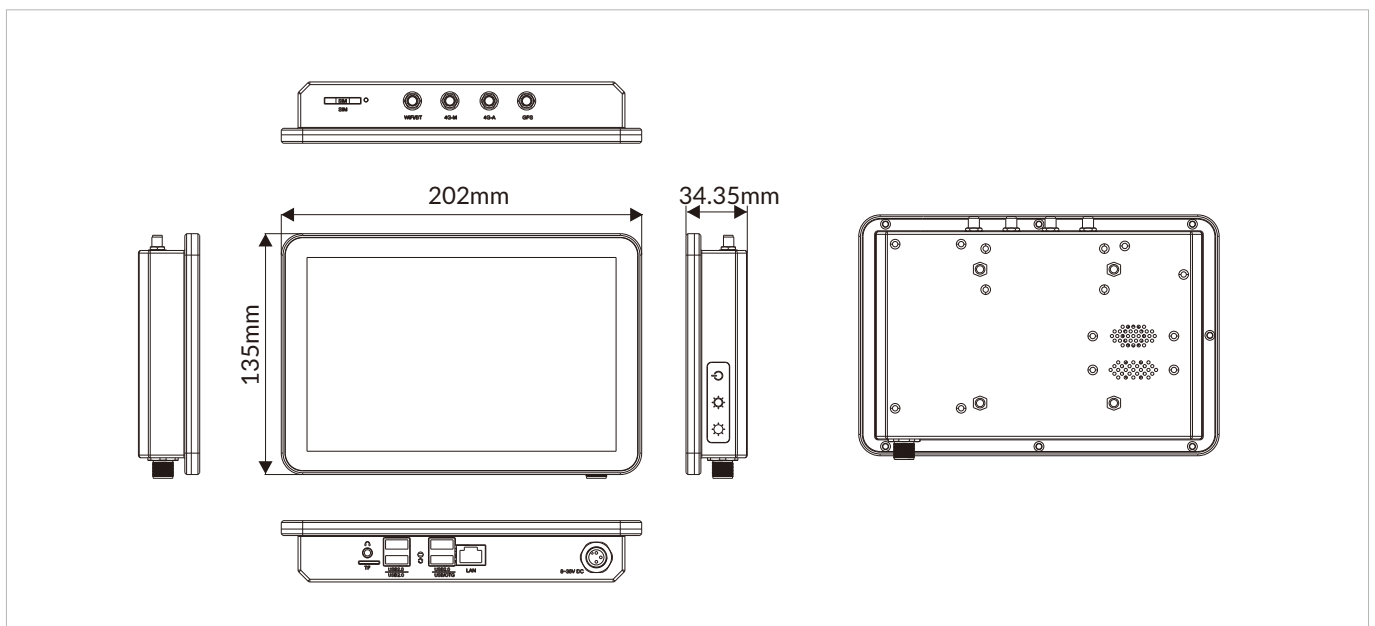


## Specifications

<b>Display</b>	
Size	8 inch (16:10)
Touch Type	Projected capacitive multi touch
Display Type	TFT LCD
Resolution	1280 x 800
Luminance	300 nits
Contrast Ratio	800: 1
View Angles	85 (left), 85 (right), 85 (up), 85 (down)
Color	16.7M
<b>System</b>	
CPU	Rockchip RK3562, quad core (2.0 GHz)
Memory	2GB LPDDR4 on board
Storage	16GB eMMC 5.1
<b>Keypad &amp; Keyboard</b>	
Keypad	Power On/Off Brightness adjustment Power LED indicator
<b>I/O Ports</b>	
USB	3x USB 2.0 (Type A) 1x USB 2.0/OTG (Type A)
Ethernet	1x 10/100M LAN (RJ45)
Audio	3.5mm Audio Jack (Mic-in/Line-out)
SIM Card Slot	1x SIM Socket
TF Card Slot	1x TF Card Slot (up to 64GB)
Antenna	4x SMA connector for external antenna (Wi-Fi, Bluetooth, WWAN, GPS)
<b>RF Communication</b>	
Wi-Fi	Wi-Fi 5: 802.11a/b/g/n/ac, 2.4G/5G
Cellular	4G, LTE
Bluetooth	Bluetooth 4.1
GNSS	GPS, GLONASS, Galileo, BeiDou
<b>Audio</b>	
Speaker	8Ω/2W, dual studio speakers
<b>Power</b>	
DC Input	8 to 36VDC
Power Consumption	12W (Typ.)
Ignition On/off	Power on delay, default 10 seconds Power off delay, default 10 seconds
Power Mode	ATX
<b>Operating System</b>	
Android	Android 13
<b>Mechanical</b>	
Dimensions (W x D x H)	202 x 135 x 34.35 mm (7.95 x 5.3 x 1.35 inches)
Weight (N.W.)	1.05 kg (2.3 lbs)
Mounting Mode	VESA 75
Material	Aluminum+SGCC

Environment	
Operating Temperature	-20 to 60°C (-4 to 140°F)
Storage Temperature	-30 to 70°C (-22 to 158°F)
Relative Humidity	95% @ 70°C (158°F), non-condensing
Shock	MIL-STD-810H Method 514.8 Procedure I
Vibration	MIL-STD-810H Method 516.8 Procedure I
IP Rating	IP54 compliant
Certification	
EMC	CE, FCC

## Dimensions



## Optional Accessories

Part No.	Description
PWR836D512-M12	8 to 36VDC Input, 5V/12VDC Output, M12 connector

## Ordering Information

Part No.	Description
FMT-G632-C121C-A01	FMT-G632 + CTP(300nits) + RK3562 + 2GB + 16GB + Android 13 + WiFi5(On-board) + Bluetooth (On-board) + 4G(EC20) + GPS(EC20) + SMA(1)-WiFi/Bluetooth + SMA(2)-4G_M + SMA(4)-GPS;