

Industrial Modular Computer with 6th/7th/8th/9th Gen Intel® Core™ i3/i5/i7/i9, Pentium®, Celeron® Processor

Overview

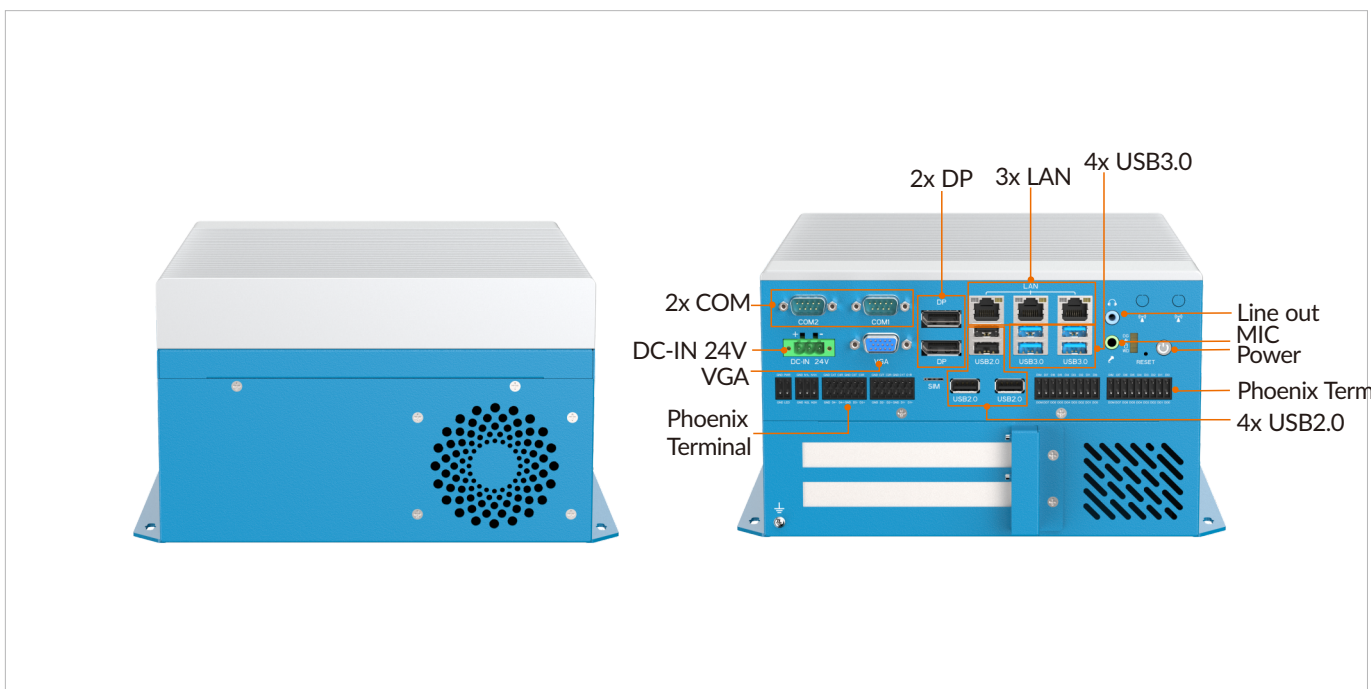
The MIC-7311 is a modular industrial computer featuring 6th/7th/8th/9th Gen Intel® Core™ i3/i5/i7/i9, Pentium®, and Celeron® processors. With robust functionalities, extensive connectivity options, flexible video outputs, and storage solutions, it provides excellent performance for diverse industrial applications while operating on a 24VDC power input.

Features

- 6th/7th/8th/9th Gen Intel® Core™ i3/i5/i7/i9, Pentium®, Celeron® Processor
- 6x COM(5xRS-232/485), 3x LAN, 8x USB
- 1x PCIe x16, 1x PCI
- 32x GPIO , 2x CAN2.0B
- 2x DP, 1x VGA
- 1x 2.5" SATA HDD/SSD, 1x M.2 SSD, 1x full length Mini PCIe
- 24VDC power input



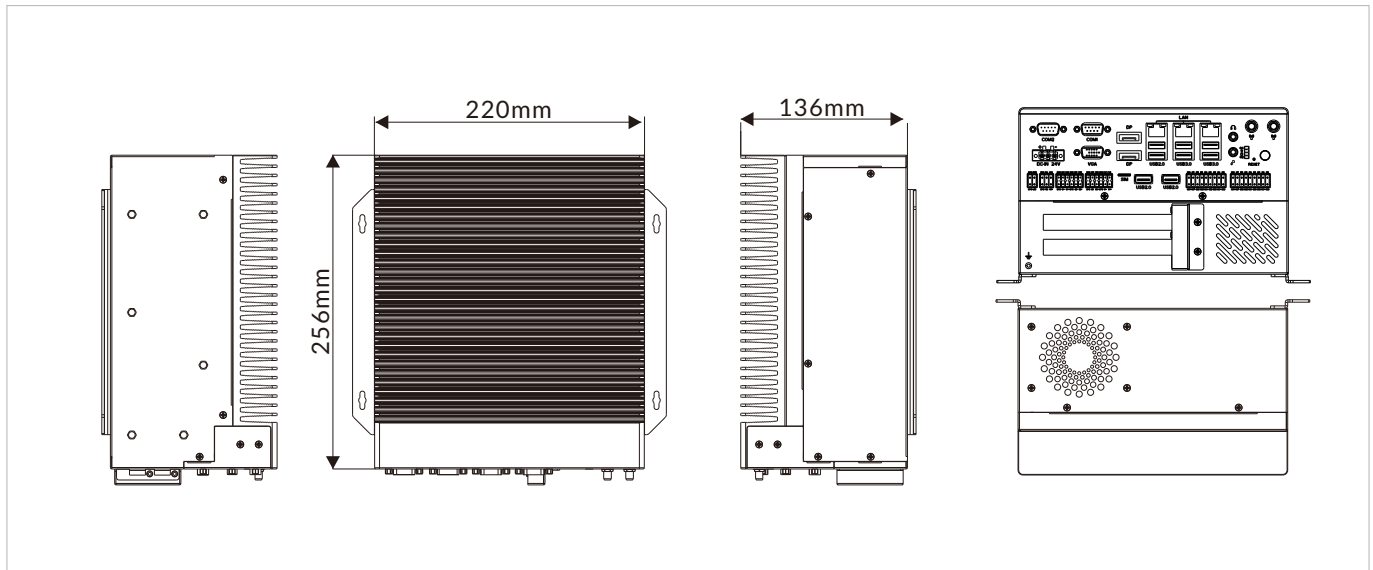
I/O Interfaces



Specifications

System	
CPU	LGA1151 Socket i3/i5/i7/i9
CPU TDP	65W
Chipset	Intel® H110
Memory	2x DDR4 SO-DIMM up to 32GB
Storage	1x 2.5" SATA HDD 1x M.2 2280 SATA
BIOS	AMI UEFI
TPM	1x SPI (optional)
Watchdog Timer	Software programmable supports 256 levels system reset
I/O Ports	
USB Port	4x USB 2.0, 4x USB3.0
Serial Port	6x COM (5xRS-232/485)
Ethernet	1x Intel® I219-LM, 2x Intel® I210-AT
Display Port	2x DP, 1x VGA
SIM Card Slot	2x SIM
Antenna Hole	2x SMA-type
Expansion Slot	
PCI/PCIe	1x PCI, 1x PCIe16
Mini-PCIe	1x full length Mini PCIe
M.2	1x M.2 B-Key 3052
RF Communication	
Wi-Fi	Mini-PCIe Expansion (Optional)
Cellular	M.2 3052 B-Key(Optional)
Bluetooth	Mini-PCIe Expansion (Optional)
GNSS	M.2 3052 B-Key(Optional)
Audio	
Audio	Mic in, line out
Power	
Remote Power On/Off	4-Pin remote
DC Input	24VDC
Input Type	1x 3-pin terminal block connector
Power Mode	AT/ATX
Operating System	
Windows	Windows 7/10
Linux	Ubuntu
Mechanical	
Dimensions (WxDxH)	220 x 256 x 136mm(8.66 x 10.08 x 5.36 inches)
Weight (N.W.)	4.6kg(10.15 lb)
Mounting	Wall-mount
Material	Aluminum alloy
Environment	
Operating Temperature	-10 to 50°C (14 to 122°F, with SSD Airflow 0.7m/s)
Storage Temperature	-40 to 80°C (-40 to 176°F)
Relative Humidity	10% to 95% (non-condensing)
Certification	
EMC	CE, FCC Class A

Dimensions



Ordering Information

Part No.	Description
MIC-7311	Industrial Modular Computer with Intel® Core-i processor, 3xLAN, 6xCOM(5xRS-232/485), 8x USB, 32x GPIO , 2x CAN2.0B,1xPCI, 1xPClex16, 2xDP, 1xVGA