

Modular Industrial Computer with 10th/11th Gen Intel® Core™ i3/i5/i7/i9, Pentium®, Celeron® Processor

Overview

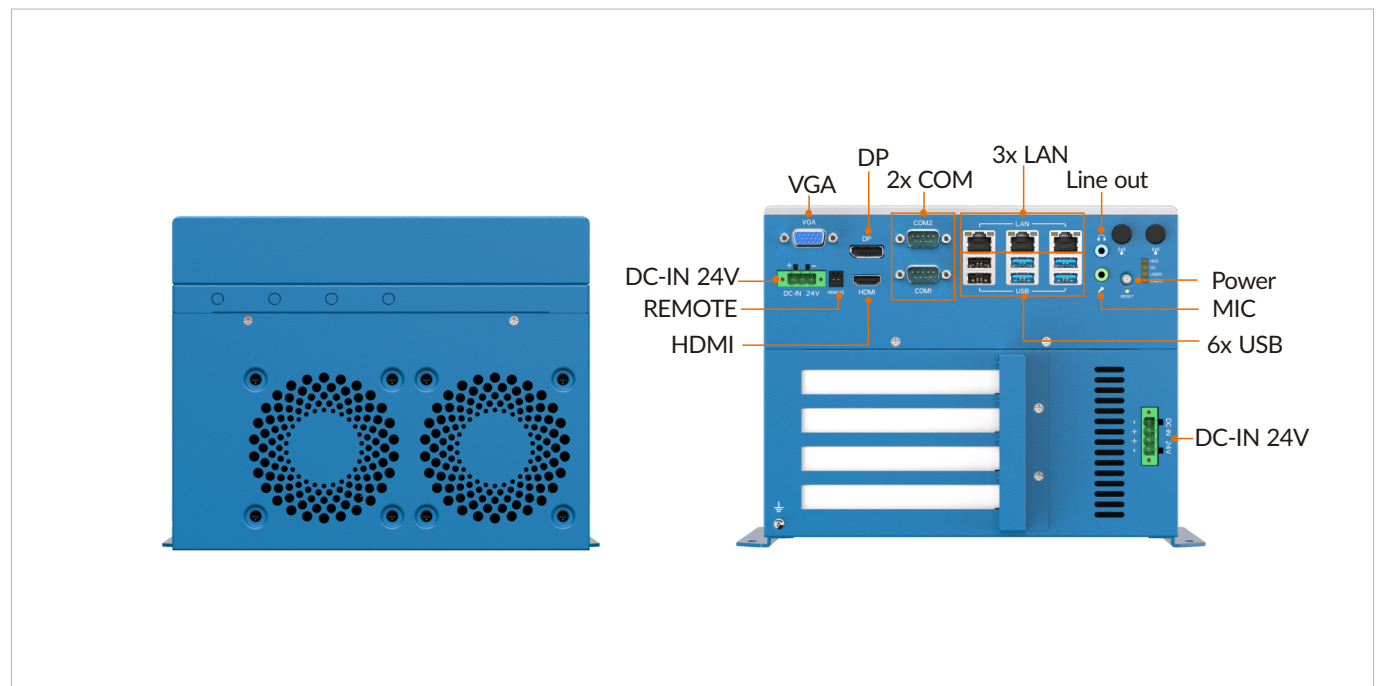
MIC-8022GLF supports NVIDIA high performance 300W triple-fan-based cards. Its robust power design ensures reliability for both the systems and GPU cards under high power consumption applications. Ideal for video AI edge computing, 3D image processing, and vision applications.

Features

- 10th/11th Gen Intel® Core™ i3/i5/i7/i9, Pentium®, Celeron® Processor
- Offering powerful GPU solution with NVIDIA 300W
- 60mm width, 330mm length GPU cards for new AI application
- 2x COM(1xRS-232/485), 3x LAN, 6x USB
- 1x DP, 1x VGA, 1x HDMI
- 2x M.2 M-Key 2280 ,1x M.2 E-Key 2230 ,1x M.2 B-Key 3052
- 24V DC power input



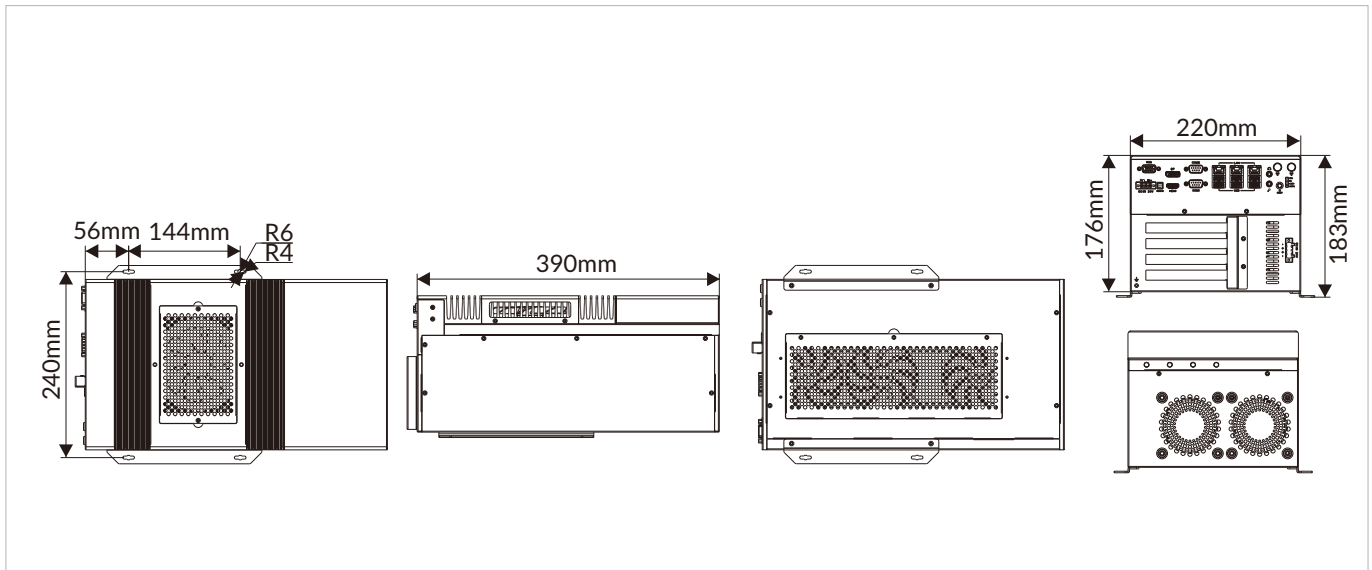
I/O Interfaces



Specifications

System	
CPU	Comet lake S i3/i5/i7/i9
CPU TDP	65W
Chipset	H420E
Memory	2x DDR4 SO-DIMM up to 64GB
Storage	2x M.2 2280 SATA
BIOS	AMI 128Mbit SPI Flash
TPM	1x SPI (optional)
Watchdog Timer	Software programmable supports 256 levels system reset
I/O Ports	
USB Port	2x USB 2.0, 4x USB3.0
Serial Port	2x COM (1xRS-232/485)
Ethernet	1x Intel® I219-LM, 2x Intel® I210-AT
Display Port	1x DP, 1x VGA, 1x HDMI
SIM Card Slot	1x SIM
Antenna Hole	6x SMA-type
Expansion Slot	
PCI/PCIe	2x PCI, 1x PCIe X16, 1x PCIe X4
M.2	2x M.2 M-Key 2280, 1x M.2 E-Key 2230, 1x M.2 B-Key 3052
RF Communication	
Wi-Fi	1x M.2 2230 E-Key (PCIe AxMac Wi-Fi 6)
Cellular	1x M.2 3052 B-Key (USB3.0)
Bluetooth	1x M.2 2230 E-Key (PCIe AxMac Wi-Fi 6)
GNSS	1x M.2 3052 B-Key (USB3.0)
Audio	
Audio	Mic in, line out
Power	
Remote Power On/Off	2-Pin remote
DC Input	24VDC
Input Type	1x 3-pin terminal block connector 1x 4-pin terminal block connector(GPU Power board 300W)
Power Mode	AT/ATX
Operating System	
Windows	Windows 10/11
Linux	Ubuntu
Mechanical	
Dimensions (WxDxH)	220 x 390 x 176mm (8.66 x 15.35 x 6.93 inches)
Weight (N.W.)	7.6kg (16.76lbs)
Mounting	Wall-mount
Material	Aluminum alloy
Environment	
Operating Temperature	-10 to 50°C (14 to 122°F, with SSD Airflow 0.7m/s)
Storage Temperature	-40 to 80°C (-40 to 176°F)
Relative Humidity	10% to 95% (non-condensing)
Certification	
EMC	CE, FCC Class A

Dimensions



Optional Accessories

Part No.	Description
C.02.009.000080	480W 24V(NDR-480-24)

Ordering Information

Part No.	Description
MIC-8022GLF	3xLAN, 2xCOM(1xRS-232/485), 6x USB, 2x PCI, 1x PCIe X16, 1x PCIe X4, 1xDP, 1xVGA, 1xHDMI