

Modular Industrial Computer with 10th/11th Gen Intel® Core™ i3/i5/i7/i9, Pentium®, Celeron® Processor

## Overview

The MIC-8222 is a modular industrial computer with 10th/11th Gen Intel® Core™ i3/i5/i7/i9, Pentium®, and Celeron® processors. It offers extensive connectivity options, expansion capabilities, control interfaces, and flexible display configurations, making it a versatile and reliable choice for industrial applications.

## Features

- 10th/11th Gen Intel® Core™ i3/i5/i7/i9, Pentium®, Celeron® Processor
- 6x COM(3xRS-232/485), 4x LAN, 6x USB
- 2 x PCI, 1 x PCIe X16 1 x PCIe X4
- 1x DP, 1x VGA, 1x HDMI
- 2x M.2 M-Key 2280 ,1x M.2 E-Key 2230 ,1x M.2 B-Key 3052
- 24V DC power input



Operating Temp.

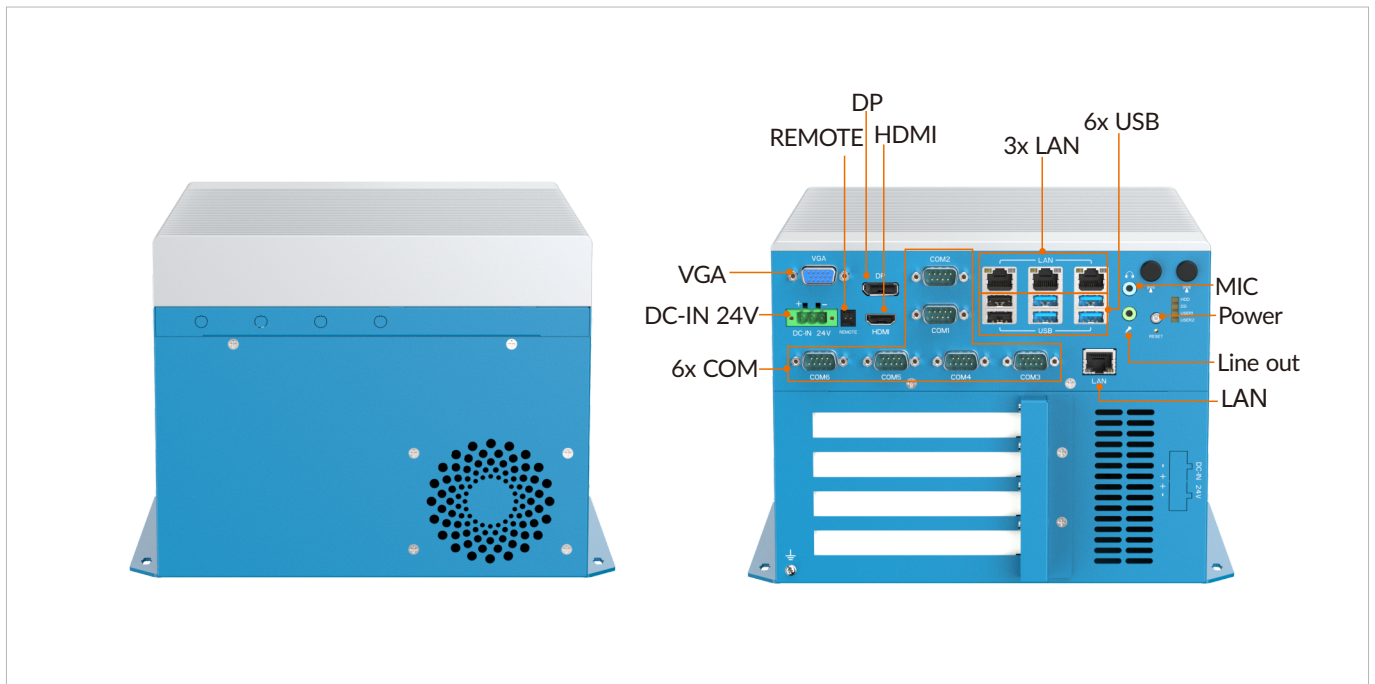


Power Input



PCI/PCIe

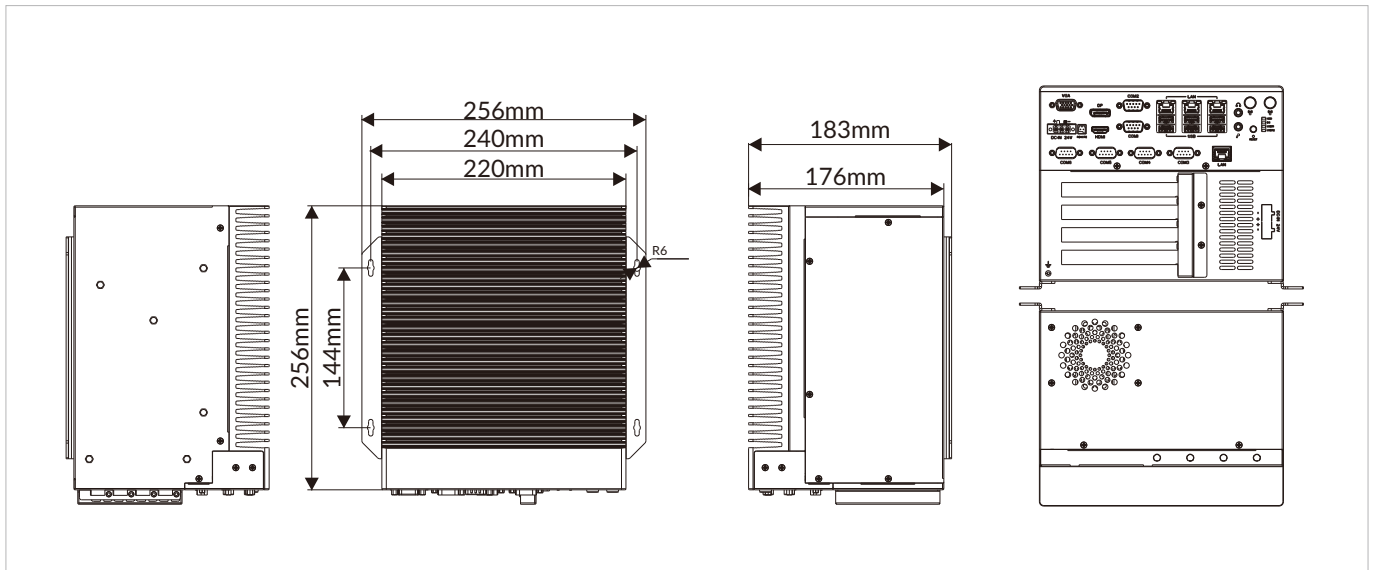
## I/O Interfaces



## Specifications

<b>System</b>	
CPU	Comet lake S i3/i5/i7/i9
CPU TDP	65W
Chipset	H420E
Memory	2x DDR4 SO-DIMM up to 64GB
Storage	2x M.2 2280 SATA
BIOS	AMI 128Mbit SPI Flash
TPM	1x SPI (optional)
Watchdog Timer	Software programmable supports 256 levels system reset
<b>I/O Ports</b>	
USB Port	2x USB 2.0, 4x USB3.0
Serial Port	6x COM (3xRS-232/485)
Ethernet	1x Intel® I219-LM, 2x Intel® I210-AT, 1x Intel® i225
Display Port	1x DP, 1x VGA, 1x HDMI
SIM Card Slot	1x SIM
Antenna Hole	6x SMA-type
<b>Expansion Slot</b>	
M.2	2 x PCI, 1 x PCIe X16 1 x PCIe X4
<b>RF Communication</b>	2x M.2 M-Key 2280,1x M.2 E-Key 2230 ,1x M.2 B-Key 3052
<b>Wi-Fi</b>	
Cellular	1x M.2 2230 E-Key (PCIe AxMac Wi-Fi 6)
Bluetooth	1x M.2 3052 B-Key (USB3.0)
GNSS	1x M.2 2230 E-Key (PCIe AxMac Wi-Fi 6)
<b>Audio</b>	1x M.2 3052 B-Key (USB3.0)
<b>Audio</b>	
<b>Power</b>	Mic in, line out
Remote Power On/Off	
DC Input	2-Pin remote
Input Type	24VDC
Power Mode	1x 3-pin terminal block connector
<b>Operating System</b>	AT/ATX
<b>Windows</b>	
Linux	Windows 10/11
<b>Mechanical</b>	Ubuntu 22.04
<b>Dimensions (WxDxH)</b>	
Weight (N.W.)	220 x 256 x 176mm(8.66 x 10.08 x 6.93 inches)
Mounting	5.6kg(12.35 lb)
Material	Wall-mount
<b>Environment</b>	Aluminum alloy
<b>Operating Temperature</b>	
Storage Temperature	-10 to 50°C (14 to 122°F, with SSD Airflow 0.7m/s)
Relative Humidity	-40 to 80°C (-40 to 176°F)
<b>Certification</b>	10% to 95% (non-condensing)
<b>EMC</b>	
	CE, FCC Class A

## Dimensions



## Ordering Information

Part No.	Description
MIC-8222	4xLAN, 6xCOM(3xRS-232/485), 6x USB, 2 x PCI, 1 x PCIe X16 1 x PCIe X4, 1xDP, 1xVGA, 1xHDMI