

Modular Industrial Computer with 10th/11th Gen Intel® Core™ i3/i5/i7/i9, Pentium®, Celeron® Processor

Overview

The MIC-8511 is a modular industrial computer with 10th/11th Gen Intel® Core™ i3/i5/i7/i9, Pentium®, and Celeron® processors. It offers extensive connectivity options, expansion capabilities, control interfaces, and flexible display configurations, making it a versatile and reliable choice for industrial applications.

Features

- 10th/11th Gen Intel® Core™ i3/i5/i7/i9, Pentium®, Celeron® Processor
- 2x COM(1xRS-232/485), 6x LAN, 6x USB
- 1x PCIe , 1x PCI
- 32x GPIO
- 1x DP, 1x VGA, 1x HDMI
- 2x M.2 M-Key 2280 ,1x M.2 E-Key 2230 ,1x M.2 B-Key 3052
- 24V DC power input

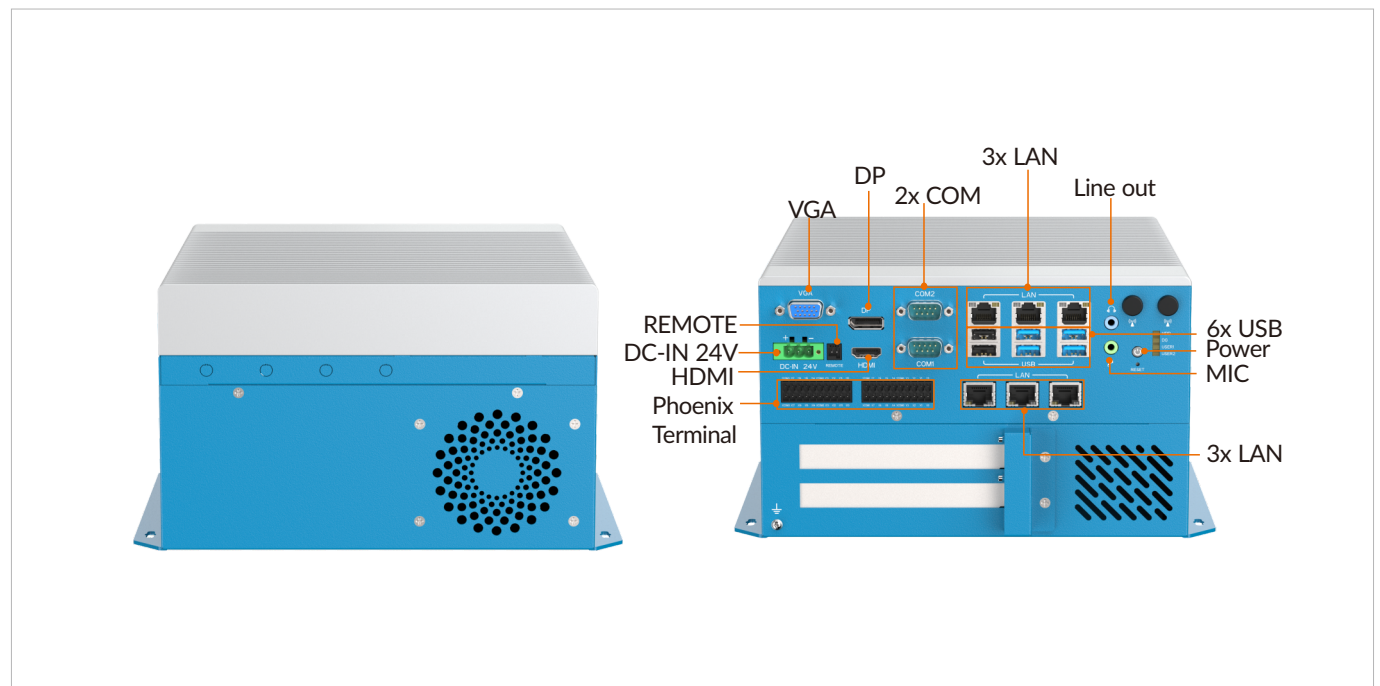


Operating Temp.

Power Input

PCI/PCIe

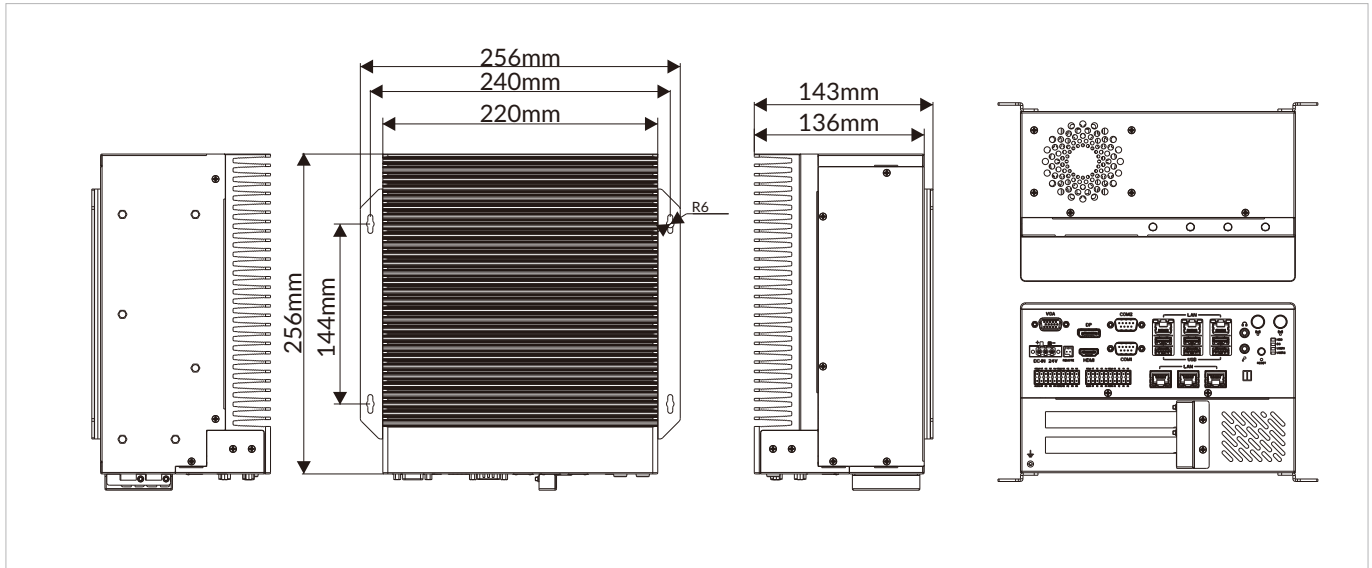
I/O Interfaces



Specifications

System	
CPU	Comet lake S i3/i5/i7/i9
CPU TDP	65W
Chipset	H420E
Memory	2x DDR4 SO-DIMM up to 64GB
Storage	2x M.2 2280 SATA
BIOS	AMI 128Mbit SPI Flash
TPM	1x SPI (optional)
Watchdog Timer	Software programmable supports 256 levels system reset
I/O Ports	
USB Port	2x USB 2.0, 4x USB3.0
Serial Port	2x COM (1xRS-232/485)
Ethernet	1x Intel® I219-LM, 5x Intel® I210-AT
Display Port	1x DP, 1x VGA,1x HDMI
SIM Card Slot	1x SIM
GPIO	32x GPIO with isolation
Antenna Hole	6x SMA-type
Expansion Slot	
PCI/PCIe	1x PCI, 1x PCIe16
M.2	2x M.2 M-Key 2280,1x M.2 E-Key 2230 ,1x M.2 B-Key 3052
RF Communication	
Wi-Fi	1x M.2 2230 E-Key (Optional)
Cellular	1x M.2 3052 B-Key (Optional)
Bluetooth	1x M.2 2230 E-Key (Optional)
GNSS	1x M.2 3052 B-Key (Optional)
Audio	
Audio	Mic in, line out
Power	
Remote Power On/Off	2-Pin remote
DC Input	24VDC
Input Type	1x 3-pin terminal block connector
Power Mode	AT/ATX
Operating System	
Windows	Windows 10/11
Linux	Ubuntu
Mechanical	
Dimensions (WxDxH)	220 x 256 x 136mm (8.66 x 10.08 x 5.35 inches)
Weight (N.W.)	4.6kg (10.14 lb)
Mounting	Wall-mount
Material	Aluminum alloy
Environment	
Operating Temperature	-10 to 50°C (14 to 122°F, with SSD Airflow 0.7m/s)
Storage Temperature	-40 to 80°C (-40 to 176°F)
Relative Humidity	10% to 95% (non-condensing)
Certification	
EMC	CE, FCC Class A

Dimensions



Ordering Information

Part No.	Description
MIC-8511	6xLAN, 2xCOM(1xRS-232/485), 6x USB, 32x GPIO, 1xPCI, 1xPCIex16, 1xDP, 1xVGA, 1xHDMI