

Intel® Elkhart Lake Celeron®/Core™ i3/i5/i7 Fanless Box Computer with 2x COM, 8x USB, 2x LAN

Overview

NBC-1360 is an advanced industrial computer equipped with extensive I/O options, offering great flexibility and effortless Mini PCIe expansion capabilities. It boasts wide-input power ranges, wide temperature tolerances, and enhanced structural durability, making it an excellent choice for industrial applications.

Features

- Intel® Elkhart Lake Celeron®/Core™ i3/i5/i7 processor
- 2x COM (RS-232/485), 2x LAN, 8x USB, HDMI
- 1x 2.5" SATA HDD/SSD, 1x M.2 2280 NVME
- 1x Full length Mini PCIe



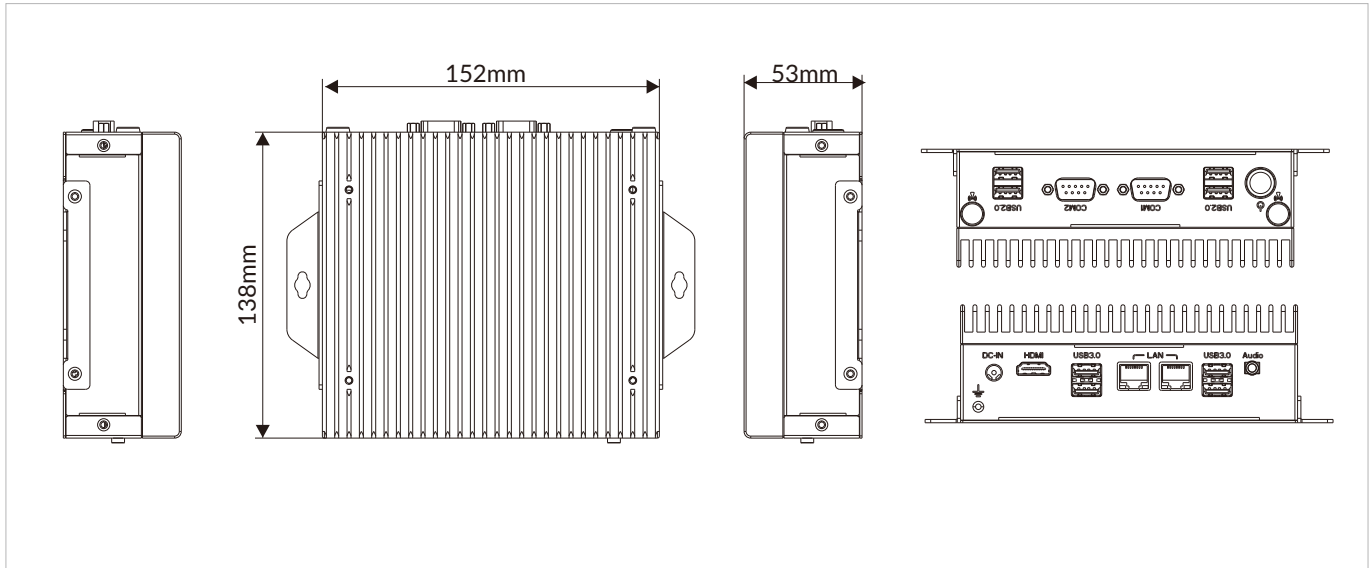
I/O Interfaces



Specifications

System				
CPU	Intel® Celeron® J6412 processor	Intel® Core™ i3-10110U /i5-10310U	Intel® Core™ i3-1115G4 /i5-1155G7/i7-1195G7	Intel® Core™ i3-1215U /i5-1235U/i7-1255U
CPU TDP	10W	15W		
Memory	1x DDR4 3200 MHz SO-DIMM up to 32GB			
Storage	1x 2.5" SATA HDD 1x M.2 2280 NVME			
BIOS	AMI UEFI			
Watchdog Timer	Software Programmable. Supports 256 levels system reset			
I/O Ports				
USB	4x USB 2.0, 4x USB 3.0			
Serial	2x COM (RS-232/485)			
Ethernet	2x RJ45 GbE Intel® I210AT			
Display	1x HDMI			
SIM Card Slot	1x SIM card slot (inside)			
Antenna	2x SMA antenna holes			
Expansion Slot				
Mini PCIe	1x Full length Mini PCIe			
M.2	1x M.2 2280 NVME			
RF Communication				
Wi-Fi	Mini PCIe expansion (optional)			
Cellular	Mini PCIe expansion (optional)			
Bluetooth	Mini PCIe expansion (optional)			
GNSS	Mini PCIe expansion (optional)			
Audio				
Audio	Mic in, line out			
Power				
Button	Yes			
DC Input	9-36VDC	12VDC	12VDC	9-36VDC
Power Mode	AT/ATX			
Operating System				
Windows	Windows 10/11			
Linux	Ubuntu			
Mechanical				
Dimensions (W x D x H)	152x 138x 53mm (5.98 x 5.43 x 2.09 inches)			
Weight (N.W.)	1.3 kg (2.87 lbs)			
Mounting	Wall mount			
Material	Aluminum alloy			
Environment				
Operating Temperature	-10 to 60°C (14 to 140°F)			
Storage Temperature	-20 to 60°C (-4 to 140°F)			
Relative Humidity	10% to 95% @ 40°C (104°F), non-condensing			
Certification				
EMC	CE, FCC Class A			

Dimensions



Optional Accessories

Part No.	Description
A.02.001.000022	AC/DC power adaptor 60W 12V 5A
C.02.009.000039	AC/DC power adaptor 84W 12V 7A

Ordering Information

Part No.	Description
NBC-1360-J6412	J6412 NBC with 2x COM (RS-232/485), 2x LAN, 8x USB, HDMI, 9-36VDC
NBC-1360-10110U	I3-10110U NBC with 2x COM (RS-232/485), 2x LAN, 8x USB, HDMI, 12VDC
NBC-1360-10310U	I5-10310U NBC with 2x COM (RS-232/485), 2x LAN, 8x USB, HDMI, 12VDC
NBC-1360-1115G4	I3-1115G4 NBC with 2x COM (RS-232/485), 2x LAN, 8x USB, HDMI, 12VDC
NBC-1360-1155G7	I5-1155G7 NBC with 2x COM (RS-232/485), 2x LAN, 8x USB, HDMI, 12VDC
NBC-1360-1195G7	I7-1195G7 NBC with 2x COM (RS-232/485), 2x LAN, 8x USB, HDMI, 12VDC
NBC-1360-1215U	I3-1215U NBC with 2x COM (RS-232/485), 2x LAN, 8x USB, HDMI, 9-36VDC
NBC-1360-1235U	I5-1235U NBC with 2x COM (RS-232/485), 2x LAN, 8x USB, HDMI, 9-36VDC
NBC-1360-1255U	I7-1255U NBC with 2x COM (RS-232/485), 2x LAN, 8x USB, HDMI, 9-36VDC