

# Rugged Tablet Accessories

- Office docks and vehicle docks
- Vehicle chargers
- Hand straps and shoulder straps
- Batteries and other accessories



# Office Docks

## OD100M

Office Dock for RTC-M81/RTC-M101



- Charges both the tablet and a spare battery simultaneously, compatible with RTC-M81/RTC-M101
- I/O interface: USB 2.0x 2, RJ45 (10/100M)x 1, RS232 x 1
- 65W PD or 19V DC-IN (Type-C )
- Size: 160x 100x 95.7mm

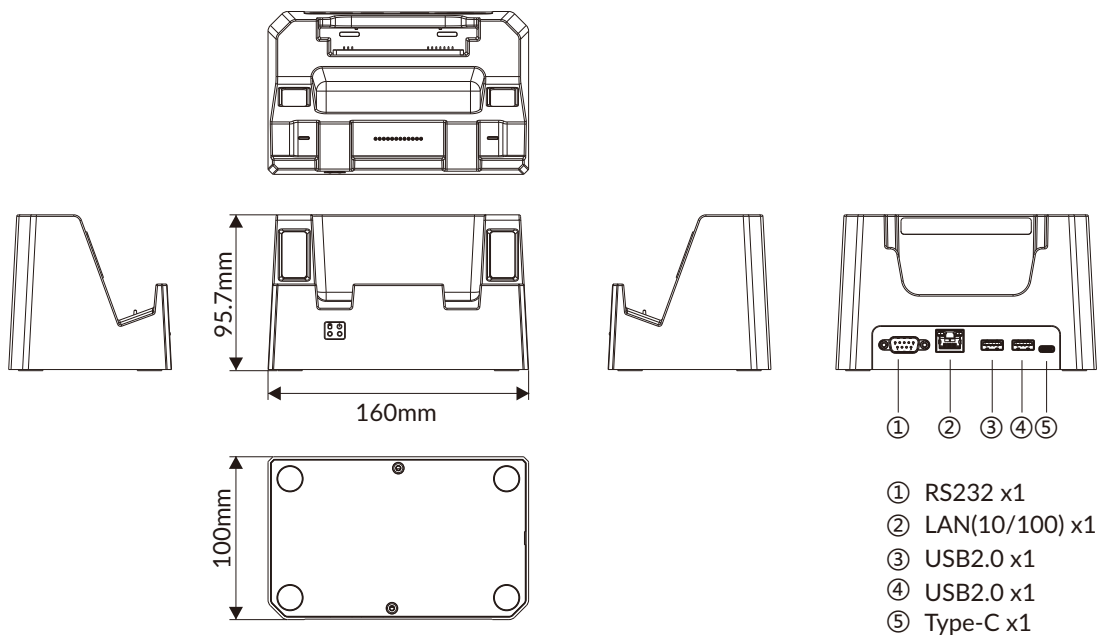
## OD100I

Office Dock for RTC-I81/RTC-I101



- Charges both the tablet and a spare battery simultaneously, compatible with RTC-I81/RTC-I101
- I/O interface: USB 2.0x 2, RJ45 (10/100M)x 1, RS232 x 1
- 65W PD or 19V DC-IN (Type-C )
- Size: 160x 100x 95.7mm

## Dimensions



# Office Docks

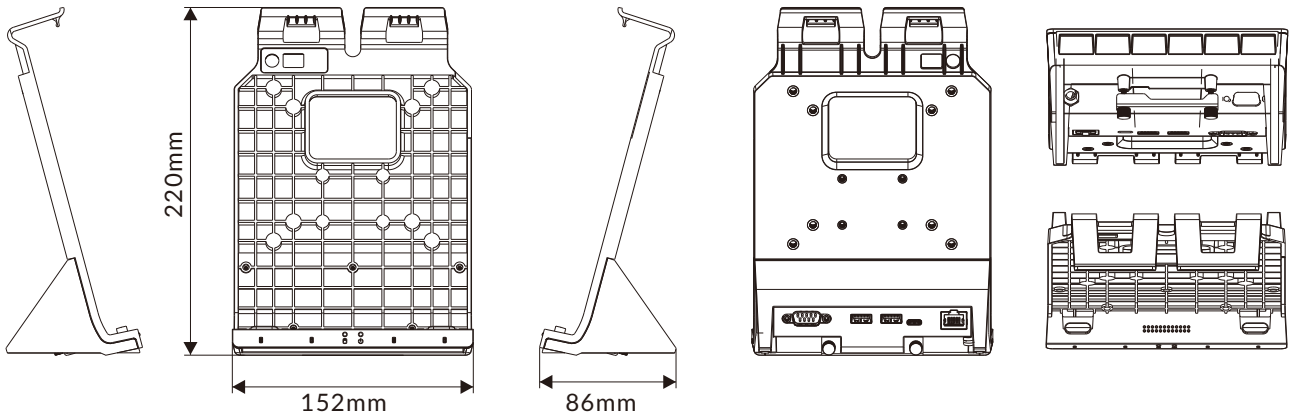
## OD200

Office Dock for RTC-I116



- Charges for RTC-I116 tablet
- I/O interface: USB 2.0x 2, RJ45 (10/100M)x 1, RS232 x 1
- 65W PD or 19V DC-IN (Type-C)
- Size: 152x 86x 220mm

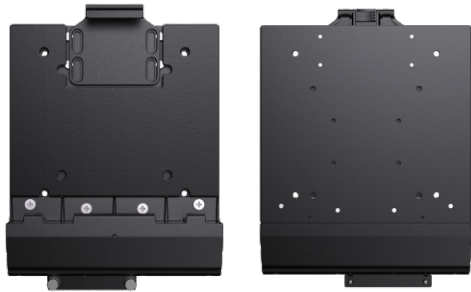
## Dimensions



# Vehicle Docks

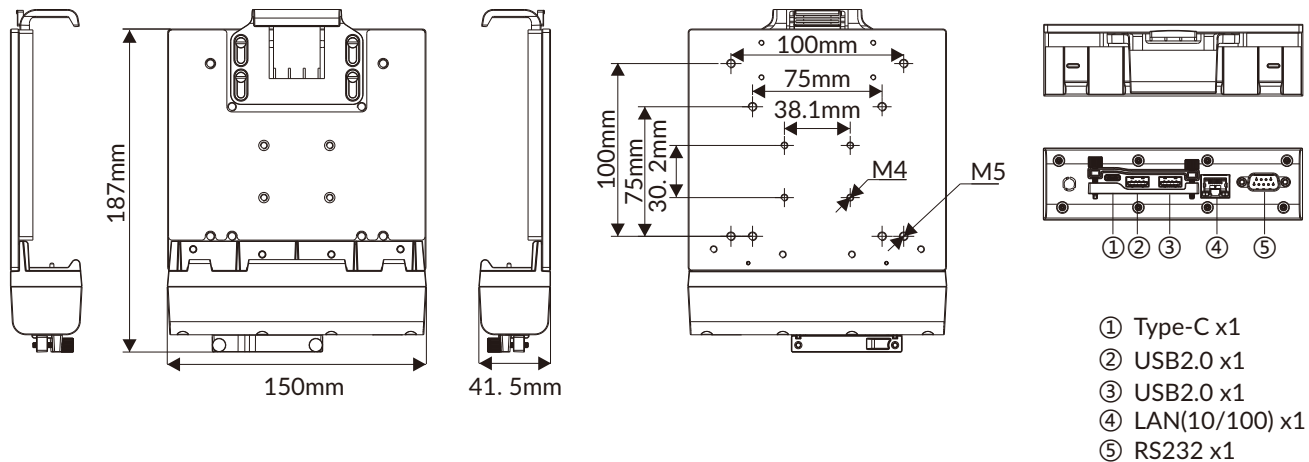
## VD100S

Vehicle Dock for RTC-M81/RTC-I81



- Supports VESA 75x75 and 100x100, compatible with VESA standard brackets
- I/O interface: USB 2.0 x 2, RJ45 (10/100M) x 1, RS232 x 1
- 65W PD or 19V DC-IN (Type-C)
- Size: 150x 41.5x 198.3mm

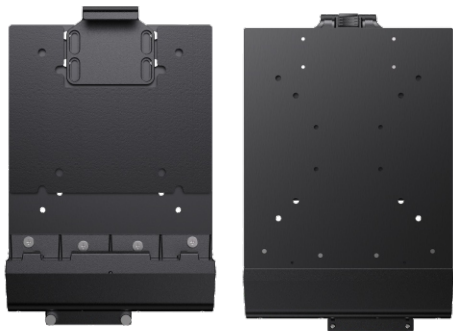
## Dimensions



# Vehicle Docks

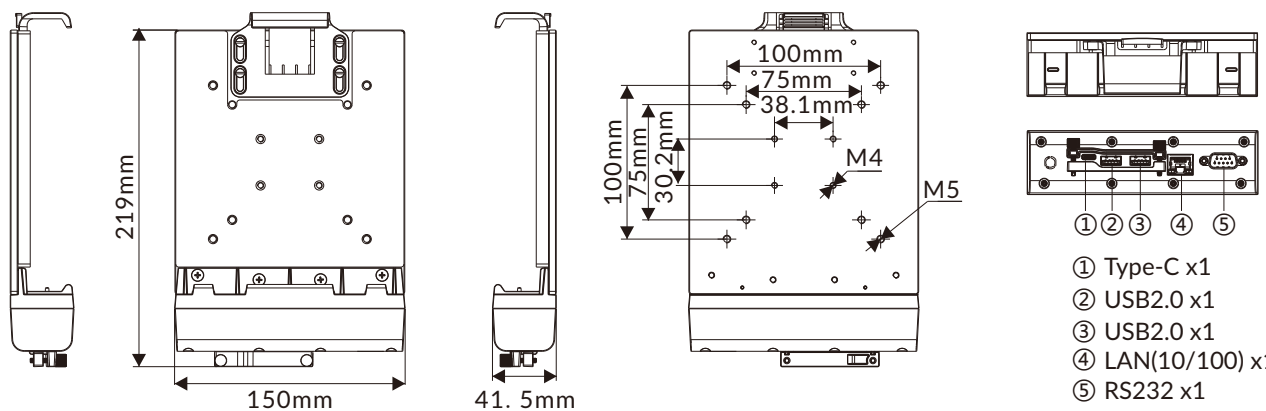
## VD100L

Vehicle Dock for RTC-M101/RTC-I101



- Supports VESA 75x75 and 100x100, compatible with VESA standard brackets
- I/O interface: USB 2.0 x 2, RJ45 (10/100M) x 1, RS232x 1
- 65W PD or 19V DC-IN (Type-C)
- Size: 150x 41.5x 230.3mm

## Dimensions



# Vehicle Docks

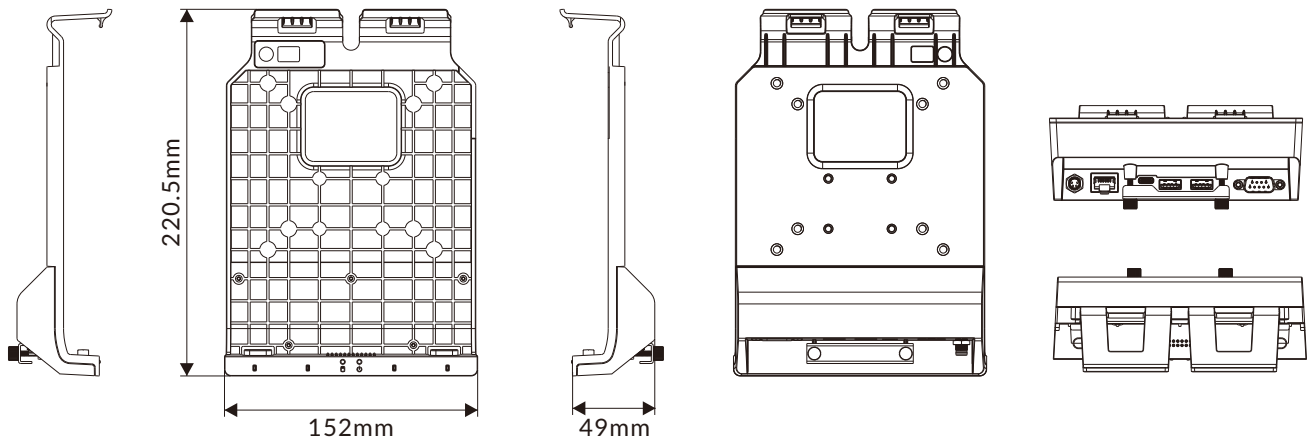
## VD200

Vehicle Dock for RTC-I116



- Supports VESA 75x 75 and 100x 100, compatible with VESA standard brackets
- I/O interface: USB 2.0 x 2, RJ45 (10/100M) x 1, RS232 x 1
- 65W PD or 19V DC-IN (Type-C)
- Size: 152x 49x 220.5mm

## Dimensions



# Straps

## HS8

Hand Strap for RTC-M81/RTC-I81



- Hand strap kit for an 8" tablet, including screws

## HS10

Hand Strap for RTC-M101/RTC-I101



- Hand strap kit for a 10.1" tablet, including screws

## HS11

Hand Strap for RTC-I116



- Hand strap kit for an 11.6" tablet, including screws

## SS18

Shoulder Strap for All RTC series



- Shoulder strap kit, including screws
- Adjustable cross-body strap with pad

# Power

## GTR65C-1

Adapter for OD100M/OD100I



- PD3.0 GaN 65W power adapter
- Input: 100-240V~50/60Hz,
- Output: 5V/3A, 9V/3A, 12V/3A, 15V/3A, 20V/3.25A (Type-C)

## VC19D

Vehicle Charger for VD100S/VD100L



- Vehicle charger, wide voltage input
- 10-36V DC-IN (Bare wires)
- 19V/ 5A DC-OUT (Type-C)

## VC100W

Vehicle Charger for VD100S/VD100L



- Vehicle charger, PD100W max
- 12/24V DC-IN (Car cigarette lighter)
- 5/9/12/15/20V DC-OUT (Type-C)

## BT5000-2P

10,000mAh 3.8V Battery for RTC-M81/RTC-M101



- 3.8V, 10,000mAh Li-Polymer battery (38Wh)



# Power

## BT5000-2S

5,000mAh 7.6V Battery for RTC-I81/RTC-I101

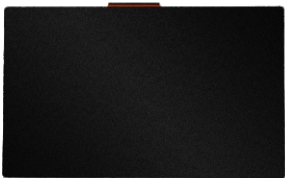


- 7.6V, 5,000mAh Li-Polymer battery (38Wh)

---

## BT3800-2S

3,800mAh 7.7V Battery for RTC-I116



- 7.7V, 3,800mAh Li-Polymer battery (29.26Wh)

---

## BC2U

2-Bay Battery Charger for RTC-I116



- Charge two batteries at once with this 2-bay battery charger for RTC-I116
- 65W PD or 19V DC-IN (Type-C)

# Others

## Stylus01

Stylus with Tether



- Replacement capacitive stylus with tether

---

## USB Cable-E434

USB Cable for RTC-I81/RTC-I101



- USB type C to type C power cable
- Length: 1m