

## Marine Computer with 13th Gen Intel® Celeron®/Core™ i3/i5/i7 Processor

### Overview

The MC-346 marine computer features a rugged aluminum enclosure and a fanless design. It is powered by the 13th Gen Intel® Celeron®/Core™ i3/i5/i7 Processor and includes 4x NMEA 0183 (RS-422/485) ports, 8 isolated DIO, and 2x removable 2.5" SSD drive bays. With 2x DP, 6x USB, 4x LAN, and supports TPM 2.0, it offers optional Wi-Fi, Bluetooth, LTE/5G, GPS, and CAN2.0 capabilities. It is IEC 60945/61162-1/2 and IACS E10 certified(Pending).

### Features

- Rugged aluminum enclosure and fanless design
- 13th Gen Intel® Celeron®/Core™ i3/i5/i7 Processor
- 4x NMEA 0183 (RS-422/485), 8 x isolated DIO ports
- 2x removable 2.5" SSD drive bays, RAID 0,1 Hot-swap
- 2x DP, 6x USB, 4x 2.5GbE LAN, TPM 2.0
- Optional Wi-Fi, Bluetooth, LTE/5G, GPS, CAN2.0
- IEC 60945/61162-1/2, IACS E10 certified(Pending)



Operating Temp.



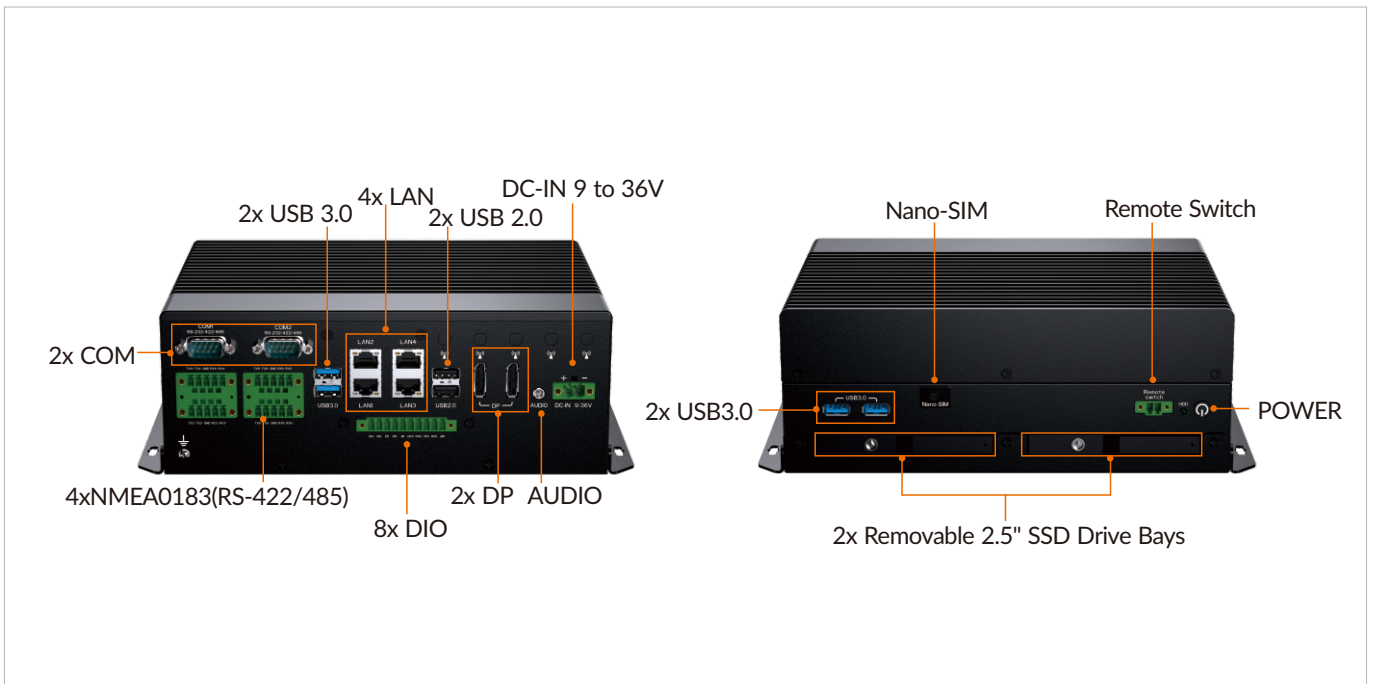
Power Input



Fanless



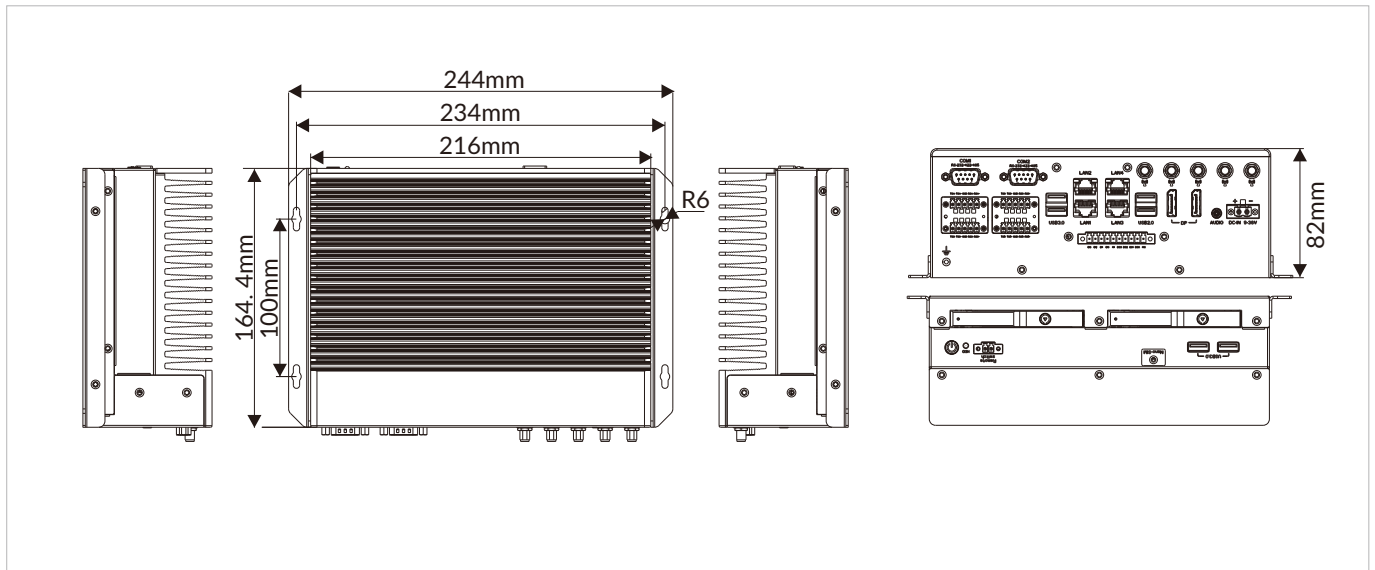
### I/O Interfaces



## Specifications

<b>System</b>	
CPU	Intel Celeron®-7305E/Core™ i3-1315UE Intel Core™ i5-1345UE/Intel Core™ i7-1365UE processor
Memory	2x SO-DIMM DDR5-4800/5200 MT/s (up to 64GB)
Storage	1x M.2 Key M 2242/2280, Nvme PCIe x4 SSD 2x removable 2.5" SSD drive bays, RAID 0,1 Hot-swap
GPU	Intel® UHD Graphics
TPM	Built-in onboard hardware TPM2.0-NPCT760AABYX
Watchdog Timer	Software programmable supports 256 levels system reset
<b>I/O Ports</b>	
USB Port	4x USB3.0, 2x USB2.0
Serial Port	4x NMEA0183 (RS-422/485), 2x DB9(RS-232/422/485)
Ethernet	4x 2.5GbE LAN
Display Port	2x DP++ (Up to 4K each)
SIM Card Slot	1x SIM
DIO	8x isolated DIO
CAN bus	2x CAN2.0B (optional)
<b>Expansion Slot</b>	
Mini-PCIe	1x Mini PCIe slot
M.2	1x M.2 Key M 2242/2280 Nvme, 1x M.2 E-Key 2230, 1x M.2 B-Key 3052
Antenna Hole	5x SMA-type
<b>RF Communication</b>	
Wi-Fi	1x M.2 2230 E-Key (PCIe AxMac Wi-Fi 6)
Cellular	1x M.2 3052 B-Key (USB3.0)
Bluetooth	1x M.2 2230 E-Key (PCIe AxMac Wi-Fi 6)
GNSS	1x Mini PCIe (USB2.0)
<b>Audio</b>	
Audio	Mic in, line out
<b>Power</b>	
Button	Yes
Remote Power On/Off	2-Pin phoenix terminal (3.81 mm)
DC Input	9 to 36V DC-IN (2-Pin Phoenix terminal 5.0 mm)
Power Mode	AT/ATX
<b>Operating System</b>	
Windows	Windows 10, windows 11
Linux	Ubuntu22.04
<b>Mechanical</b>	
Dimensions (W x D x H)	216 x 164 x 82mm (8.5 x 6.46 x 3.23 inches)
Weight (N.W.)	3.5kg (7.72 lbs)
Mounting	Wall-mount
Material	Aluminum alloy
<b>Environment</b>	
Operating Temperature	-20 to 60°C ( -4 to 140°F) with SSD Airflow 0.7m/s
Storage Temperature	-40 to 85°C ( -40 to 185°F)
Relative Humidity	5 to 95%, non-condensing
<b>Certification</b>	
EMC	CE, FCC, IEC 60945/61162-1/2, IACS E10(Pending)

## Dimensions



## Ordering Information

Part No.	Description
MC-346-7305E	Celeron-7305E/4LAN/6COM/6USB/2DP/8DIO
MC-346-1315URE	i3-1315UE/4LAN/6COM/6USB/2DP/8DIO
MC-346-1345URE	i5-1345UE/4LAN/6COM/6USB/2DP/8DIO
MC-346-1365URE	i7-1365UE/4LAN/6COM/6USB/2DP/8DIO