

Intel® Elkhart Lake Celeron®/Core™ i3/i5/i7 Fanless Box Computer with 2x COM, 8x USB, 2x LAN

## Overview

NBC-1360 is an advanced industrial computer equipped with extensive I/O options, offering great flexibility and effortless Mini PCIe expansion capabilities. It boasts wide-input power ranges, wide temperature tolerances, and enhanced structural durability, making it an excellent choice for industrial applications.

## Features

- Intel® Elkhart Lake Celeron®/Core™ i3/i5/i7 processor
- 2x COM (RS-232/485), 2x LAN, 8x USB, HDMI
- 1x 2.5" SATA HDD/SSD, 1x M.2 2280 NVME
- 1x Full length Mini PCIe



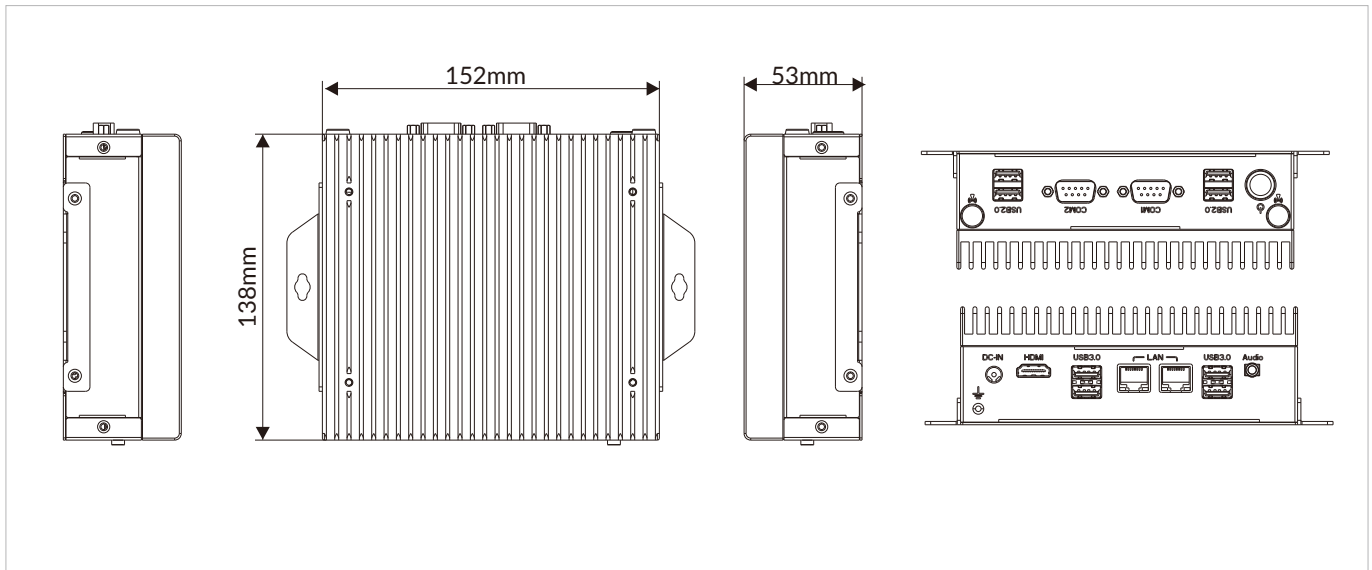
## I/O Interfaces



## Specifications

<b>System</b>				
CPU	Intel® Celeron® J6412 processor	Intel® Core™ i3-10110U /i5-10310U	Intel® Core™ i3-1115G4 /i5-1155G7/i7-1195G7	Intel® Core™ i3-1215U /i5-1235U/i7-1255U
CPU TDP	10W	15W		
Memory	1x DDR4 3200 MHz SO-DIMM up to 32GB		1x DDR4 3200 MHz SO-DIMM up to 32GB	
Storage	1x 2.5" SATA HDD 1x M.2 2280 NVME			
BIOS	AMI UEFI			
Watchdog Timer	Software Programmable. Supports 256 levels system reset			
<b>I/O Ports</b>				
USB	4x USB 2.0, 4x USB 3.0			
Serial	2x COM (RS-232/485)			
Ethernet	2x RJ45 GbE Intel® I210AT			
Display	1x HDMI			
SIM Card Slot	1x SIM card slot (inside)			
Antenna	2x SMA antenna holes			
<b>Expansion Slot</b>				
Mini PCIe	1x Full length Mini PCIe			
M.2	1x M.2 2280 NVME	1x M.2 2280 NVME, 1x M.2 2230 E-Key	1x M.2 2280 NVME	1x M.2 2280 NVME, 1x M.2 2230 E-Key
<b>RF Communication</b>				
Wi-Fi	Mini PCIe expansion (optional)			
Cellular	Mini PCIe expansion (optional)			
Bluetooth	Mini PCIe expansion (optional)			
GNSS	Mini PCIe expansion (optional)			
<b>Audio</b>				
Audio	Mic in, line out			
<b>Power</b>				
Button	Yes			
DC Input	9-36VDC	12VDC	12VDC	9-36VDC
Power Mode	AT/ATX			
<b>Operating System</b>				
Windows	Windows 10/11			
Linux	Ubuntu			
<b>Mechanical</b>				
Dimensions (W x D x H)	152x 138x 53mm (5.98 x 5.43 x 2.09 inches)			
Weight (N.W.)	1.3 kg (2.87 lbs)			
Mounting	Wall mount			
Material	Aluminum alloy			
<b>Environment</b>				
Operating Temperature	-10 to 60°C (14 to 140°F)			
Storage Temperature	-20 to 60°C (-4 to 140°F)			
Relative Humidity	10% to 95% @ 40°C (104°F), non-condensing			
<b>Certification</b>				
EMC	CE, FCC Class A			

## Dimensions



## Optional Accessories

Part No.	Description
A.02.001.000022	AC/DC power adaptor 60W 12V 5A
C.02.009.000039	AC/DC power adaptor 84W 12V 7A

## Ordering Information

Part No.	Description
NBC-1360-J6412	J6412 NBC with 2x COM (RS-232/485), 2x LAN, 8x USB, HDMI, 9-36VDC
NBC-1360-10110U	I3-10110U NBC with 2x COM (RS-232/485), 2x LAN, 8x USB, HDMI, 12VDC
NBC-1360-10310U	I5-10310U NBC with 2x COM (RS-232/485), 2x LAN, 8x USB, HDMI, 12VDC
NBC-1360-1115G4	I3-1115G4 NBC with 2x COM (RS-232/485), 2x LAN, 8x USB, HDMI, 12VDC
NBC-1360-1155G7	I5-1155G7 NBC with 2x COM (RS-232/485), 2x LAN, 8x USB, HDMI, 12VDC
NBC-1360-1195G7	I7-1195G7 NBC with 2x COM (RS-232/485), 2x LAN, 8x USB, HDMI, 12VDC
NBC-1360-1215U	I3-1215U NBC with 2x COM (RS-232/485), 2x LAN, 8x USB, HDMI, 9-36VDC
NBC-1360-1235U	I5-1235U NBC with 2x COM (RS-232/485), 2x LAN, 8x USB, HDMI, 9-36VDC
NBC-1360-1255U	I7-1255U NBC with 2x COM (RS-232/485), 2x LAN, 8x USB, HDMI, 9-36VDC