

12.1" Android 12 Vehicle Mount Computer with RK3588 Processor

Overview

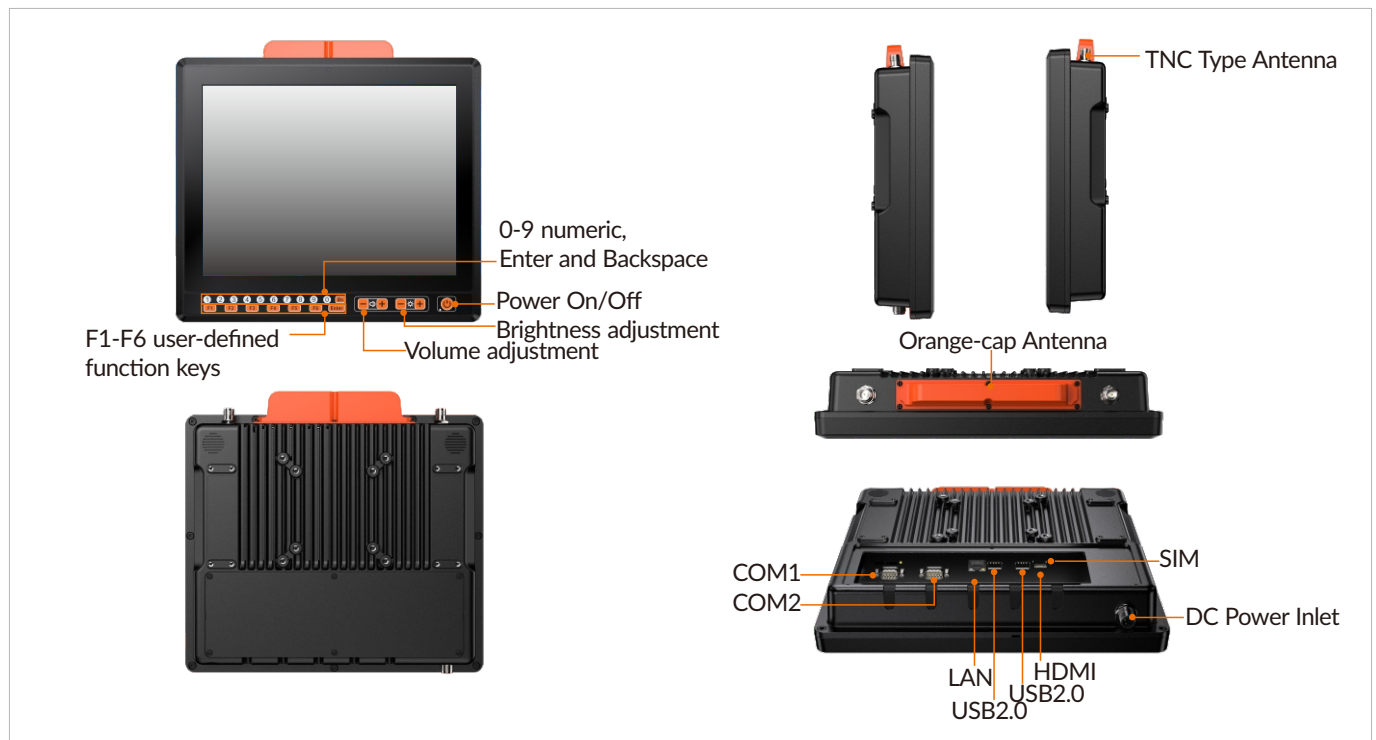
VT-862A is a 12.1-inch rugged and compact vehicle mount computer designed for trucks, forklift and other applications. It is fanless, wide temperature and wide-range dc input design. VT-862A is equipped with high performance 8-core processor, integrated 12.1-inch TFT LCD with projective capacitive touch screen, built-in Wi-Fi 5, Bluetooth 4.2, 4G LTE, GNSS modules to provide real-time communication connection.

Features

- 12.1" TFT-LCD with projective capacitive touch screen
- Front panel intergrated function keys control
- Rugged aluminum enclosure and fanless design
- IP66 protection against water and dust
- MIL-STD-810H vibration testing standards compliant
- Wide range 8 to 36VDC power input with ignition control
- Flexible expansion capability for Wi-Fi 5, Bluetooth 4.2, LTE, GNSS



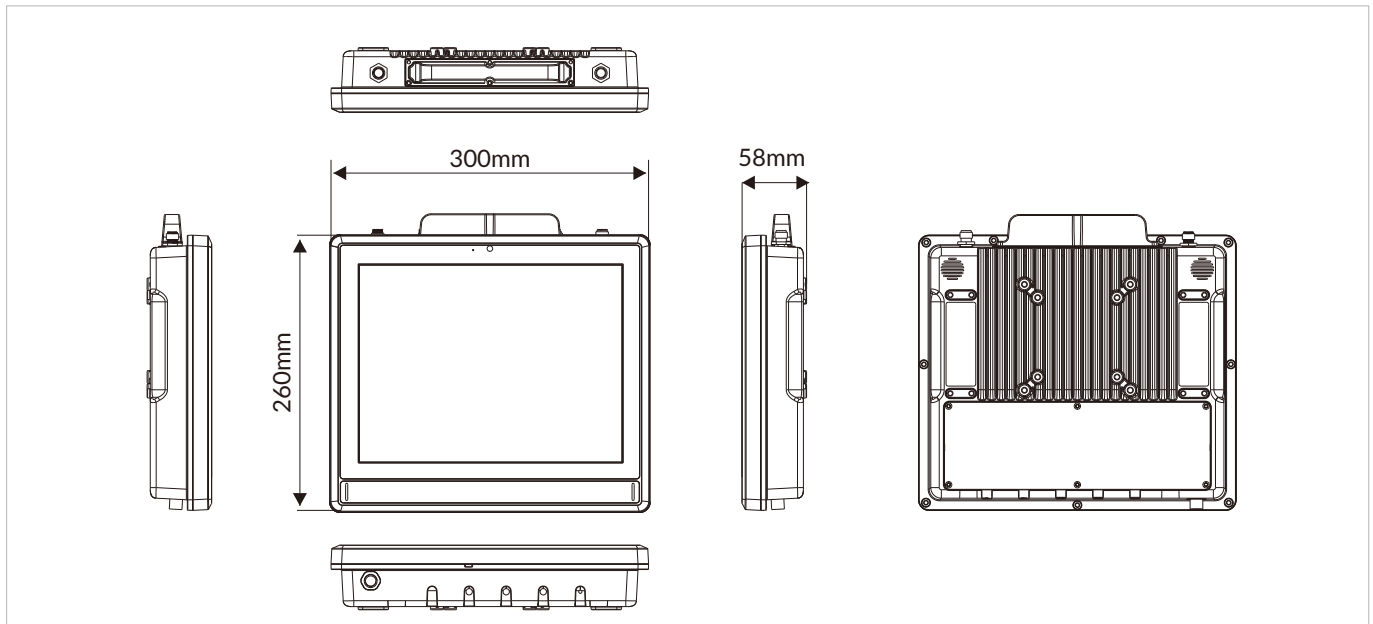
I/O Interfaces



Specifications

Display	
Size	12.1 inch (4:3)
Touch Type	Projected capacitive multi touch
Display Type	TFT LCD
Resolution	1024 x 768
Luminance	1000 nits
Contrast Ratio	1000: 1
View Angles	85 (left), 85 (right), 85 (up), 85 (down)
Color	16.7M
System	
CPU	Rockchip RK3588, octa-core A76+A53 (2.4 GHz)
Memory	4GB DDR4 on board
Storage	64GB EMMC on board
Keypad & Keyboard	
Keypad	Power On/Off Brightness and volume adjustment F1 to F6 user-defined function keys Power LED indicator
I/O Ports	
USB	1x USB 2.0/OTG (Type A) , 1x USB 2.0 (Type A)
Serial	2x RS-232 (DB9)
Ethernet	1x LAN (RJ45)
Display	1x HDMI
SIM Card Slot	1x SIM Socket
TF Card Slot	1x TF Socket (up to 128GB)
Antenna	2 to 8x TNC connector for external antenna (Wi-Fi, Bluetooth, WWAN, GNSS)
RF Communication	
Wi-Fi	Wi-Fi 5: 802.11a/b/g/n/ac, 2.4G/5G
Cellular	4G, LTE, 5G, NSA/SA (optional)
Bluetooth	Bluetooth 4.2
GNSS	GPS, GLONASS, Galileo, BeiDou
Audio	
Speaker	8Ω/2W, dual studio speakers
Power	
DC Input	8 to 36VDC
Power Consumption	18W (Typ.)
Power Mode	ATX (default), AT
Operating System	
Android	Android 12
Mechanical	
Dimensions (W x D x H)	300 x 260 x 58 mm (11.8 x 10.24 x 2.28 inches)
Weight (N.W.)	3.8 kg (8.4 lbs)
Mounting Mode	VESA 75 and 100
Material	Die-casting Aluminum with Heavy Duty Metal
Environment	
Operating Temperature	-30 to 60°C (-22 to 140°F)
Storage Temperature	-40 to 70°C (-40 to 158°F)
Relative Humidity	95% @ 70°C (158°F), non-condensing
Shock	MIL-STD-810H Method 514.8 Procedure I
Vibration	MIL-STD-810H Method 516.8 Procedure I
IP Rating	IP66 compliant
Certification	
EMC	CE, FCC

Dimensions



Optional Accessories

Part No.	Description
PWR836D512-M12	8 to 36VDC Input, 5V/12VDC Output, M12 connector

Ordering Information

Part No.	Description
VT-862A-D210C-A01	VT-862A + CTP(1000) + RK3588 + 4GB RAM + 64GB Flash + Android 12 + WiFi5 + Bluetooth4.2 + 4G(EC20) + GPS(UG-M80) + TNC(1)-WiFi_M/Bluetooth + TNC(2)-4G_M + TNC(8)-GPS;